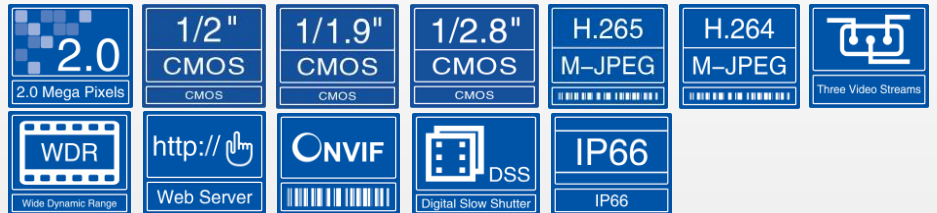


VT240-A2 SERIES

HD 2MP SMART STARLIGHT WDR INTEGRATED IP PTZ CAMERA SYSTEM

Infinova[®]



FEATURES

- Built-in with 30X/33X HD integrated camera module
- Progressive -scanning CMOS
- Star-grade sensitivity
- Support multi-frame WDR, up to 132dB
- Resolution up to 1920×1080@60fps
- Support area zoom, image PTZ
- Support E-zoom and image overlapping
- Support smart functions like wire cross detection and regional intrusion detection
- H.265+M-JPEG or H.264+M-JPEG video encoding, three streams
- Supports dual SD card
- Supports alarm recording and alarm snapshot
- Two-way audio, G.711a/G.711u/AAC
- 2 alarm inputs, 1 alarm output
- Supports motion detection, up to 4 areas
- Supports Region of Interest (ROI), up to 8 areas
- Supports real-time access and parameter configuration via Web Server by multiple users simultaneously
- Presets, Auto Pans, Patterns, Auto Scan, Timed Tour, Normal Tour and Home Return
- Onvif Profile S/G & Profile T compliant
- High strength aluminium-alloy casting, heat and corrosion resistant
- Operational in 90mph wind conditions, withstanding wind velocity of up to 130mph
- Window wiper, built-in heater and window defroster
- RS485 remote control and analog video output
- IP66 environmental rating
- Upgrade online

DESCRIPTION

Infinova's VT240-A2 series HD 2MP Smart Starlight WDR Integrated IP PTZ Camera System features a set of full digital real-time image acquisition system to deliver clear images at high frame rate and excellent signal-to-noise ratio.

VT240-A2 series which is built-in with 30X/33X HD camera module, provides 1920×1080@60fps resolution, H.265/H.264/M-JPEG compression formats, and three simultaneous video streams.

The PTZ cameras offer a user-friendly GUI interface, which makes it easy to adjust the video parameters and perform the PTZ operation. In addition, functions like area zoom and image PTZ are also available.

The PTZ cameras also feature such functions as Presets, Patterns, Auto Pans, Auto Scan and Normal Tour.

Its powder-coated aluminium construction, absolute operating temperature range of -40°F~140°F (-40°C~60°C) and built-in heater and defroster automatically enabled at low temperatures makes it an ideal surveillance solution for both indoor and outdoor applications.

TECHNICAL SPECIFICATIONS

Lens (Visible)		Audio	
Image Sensor	30X (-A): 1/1.9" progressive Scan CMOS 30X (-C): 1/2" progressive Scan CMOS 30X (-D)/33X(-B): 1/2.8" progressive Scan CMOS	Audio Compression	G.711-A/G.711-U/AAC 8KHz (for G.711-A/G.711-U)
Optical Zoom	30X, 33X	Sample Rate	16KHz, 32KHz, 44.1KHz or 48KHz (for AAC)
Digital Zoom	12X	Audio Interface	1 input, linear level, impedance: 1kΩ 1 output, linear level, impedance: 600Ω
Focal Length	30X (-A/-C): f=6~180mm 30X (-D): f=4.5~135mm 33X (-B): f=4.6~152mm	Two-way Audio	Available
Iris	30X (-A/-C): F1.6~F4.8 30X (-D): F1.6~F4.4 33X (-B): F1.6~F5.5	Mic & Speaker	-
Focus	Auto, Manual	Image	
FOV(H/V/D)	30X- H: 56.3°-2.2°; V: 32.9°-1.2°; D: 63.3°-2.5° 33X- H: 62.10° ~ 1.88°; V: 36.83° ~ 1.09°; D: 69.10° ~ 2.17°	Shutter	Auto/Manual (1/1s ~ 1/32000s)
Lens Mount	-	WDR	Up to 132dB
Lens (Thermal)		Exposure	Auto/Manual/Shutter 30X (-A)/33X(-B): Color mode: 0.001lux @F1.6 (AGC ON) B/W mode: 0.0001lux @F1.6 (AGC ON)
Imager Type	-	Sensitivity	30X (-C): Color mode: 0.0003lux @F1.6 (AGC ON) B/W mode: 0.0001lux @F1.6 (AGC ON)
Lens Type	-	White Balance	Auto/Manual/Outdoor
Spectral Band	-	Video Adjustment	Brightness, contrast, saturation, hue, sharpness
Pixel Size	-	Noise Reduction	3D
NETD	-	S/N Ratio	>62dB
Focal Length	-	Defog	Available
FOV	-	EIS	Available
Video		Mirror	Horizontal/Vertical
Camera Resolution (Visible Lens)	2MP	Corridor Mode	-
Camera Resolution (Thermal Lens)	-	Day/Night Switching	ICR
Max. Coding Capacity (Visible Lens)	Major stream: H.264/H.265- 60fps@1920×1080 Minor stream: H.264/H.265- 30fps@1280×720 Third stream: M-JPEG-5fps@1920×1080	AGC	Available
Max. Coding Capacity (Thermal Lens)	-	BLC	ON/OFF
Data Rate	VBR/CBR Major stream: 256kbps~1024kbps	HLC	ON/OFF
Video Compression	H.265 /H.264/M-JPEG independent encoding	Privacy Mask	Up to 4 definable zones
Multi-Streaming	Three stream independent output	ROI	Up to 8 definable zones
Video Rotation	-	OSD	Supported
		Pan/Tilt Functions	
		Preset	1024
		Pattern	12
		Autopan	12

TECHNICAL SPECIFICATIONS

Normal Tour	16 (each tour associates with 14 actions, optional with Preset 1~32, Pattern 1~4, Auto Pan 1~4)
Home Return	Available
Timing Tour	Available
Autoscan	Available
Area Zoom	Available
IR Illumination	
Smart-IR	-
Wave Length	-
Night Vision Distance	-
Temperature Measurement	
Screening Function	-
Measurement Distance	-
Measurement Range	-
Accuracy	-
Smart Analytics	
Video Analytics	Motion Detection - Up to 4 areas Smart Functions - Wire cross, intrusion
Storage	
Storage Slots	Support a single card
Built-in Storage	Up to 256GB
NAS Storage	-
Local PC Recording	Available
Alarm	
Alarm Ports	2 alarm inputs, 1 on/off output
Alarm Input	I/O input, motion detection, smart analysis, SD card removal, network disconnection, heartbeat loss
Alarm Association	I/O output, email, FTP upload, audio, SD card snapshot, SD card recording
System Functions	
Operating System	Windows 7 and higher versions
Browser	IE8 and higher versions
Access Protocol	ONVIF2.4, CGI
Multiple Access	Up to 5-ch simultaneous access
Web Server	Available
Remote Upgrade	Available
Password Protection	Available
RS485 Port	Available, 1-ch RS485
Analog Video Output	Available, 1-ch BNC port
Maximum Number of Users	32, with 3 types of users available: administrator, normal user, and operator
Wiper	Available
Network	
Network Interface	1*RJ45 10/100M self-adaptive Ethernet port
Network Protocols	IPv6, TCP, UDP, IGMP, DHCP, FTP, SNMP (V3), SMTP, NTP, RTP, RTSP, RTCP, HTTP, HTTPS, TSL, SSL, QoS, PPPoE, DNS, DDNS, ARP, ICMP, UPnP
IP Address Filtering	Support blacklist and whitelist filtering for up to 1024 IP segments
Network Delay	<160ms

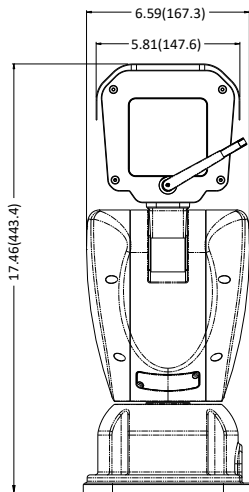
Environmental	
Anti-Static	Contact protection 8KV, Air discharge 9KV
Surge Protection	4KV
Operating Temperature	-40°F~140°F (-40°C~+60°C)
Storage Temperature	-4°F~140°F (-20°C~+60°C)
Operating Humidity	≤ 95% RH
Environmental Rating	IP66
Impact Resistance	IK10
Mechanical	
Manual Speed	Pan: 0.01°~250°/s; Tilt: 0.01°~80°/s
Preset Speed	Pan: 250°/s; Tilt: 150°/s
Rotation Angle	Pan: 360°; Tilt: +40° ~ -85°
Preset Accuracy	<±0.1°
Electric Motor	Stepping motor
Electrical	
Power Supply	24VAC/ 24VDC
Power Consumption	60W (max.)
Physical	
Product Dimension (L×W×H) or (H x D)	392.6mm×167.3mm×444.3mm (Length x width x height)
Package Dimension (L x W x H)	22.99"×16.81"×10" (584mm×427mm×254mm)
Unit Weight	22.27 lbs (10.1kg)
Shipping Weight	31.97 lbs (14.5kg)
Certifications	
Product Certifications	CE, FCC, IK10, IP66, RoHS

ORDERING INFORMATION

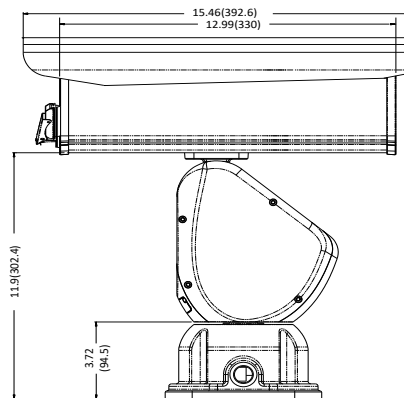
VT240-A230-A3	HD Megapixel Integrated IP PTZ Camera System, 2MP, 30X Optical zoom, Day/night, 1/1.9" CMOS, H.265/H.264/M-JPEG, NTSC/PAL, With audio alarm, With 24VAC power adapter, 24VDC/24VAC
VT240-A230-C3	HD Megapixel Integrated IP PTZ Camera System, 2MP, 30X Optical zoom, Day/night, 1/2" CMOS, H.265/H.264/M-JPEG, NTSC/PAL, With audio alarm, With 24VAC power adapter, 24VDC/24VAC
VT240-A230-D3	HD Megapixel Integrated IP PTZ Camera System, 2MP, 30X Optical zoom, Day/night, 1/2.8" CMOS, H.265/H.264/M-JPEG, NTSC/PAL, With audio alarm, With 24VAC power adapter, 24VDC/24VAC
VT240-A233-B3	HD Megapixel Integrated IP PTZ Camera System, 2MP, 33X Optical zoom, Day/night, 1/2.8" CMOS, H.265/H.264/M-JPEG, NTSC/PAL, With audio alarm, With 24VAC power adapter, 24VDC/24VAC
Accessories	
Mount	
V1662-W1	Wall Mount, 15"
V1662-S1	Pole Side Mount, 15"
V1662-C1	Corner Mount
Power Supply	
N3922-24D-3	AC to DC Power Supply, Plug-In, 230VAC, Output 24VDC, 3A
N3922-24A-3	AC to AC Power Supply, Plug-In, 230VAC, Output 24VAC, 3A

***Note:** - "Confirmation of SD Card installation has to be notified with the Camera Purchase Order. Such confirmation if received on Order Readiness will attract additional cost. Please contact Infinova to know more".

DIMENSIONS



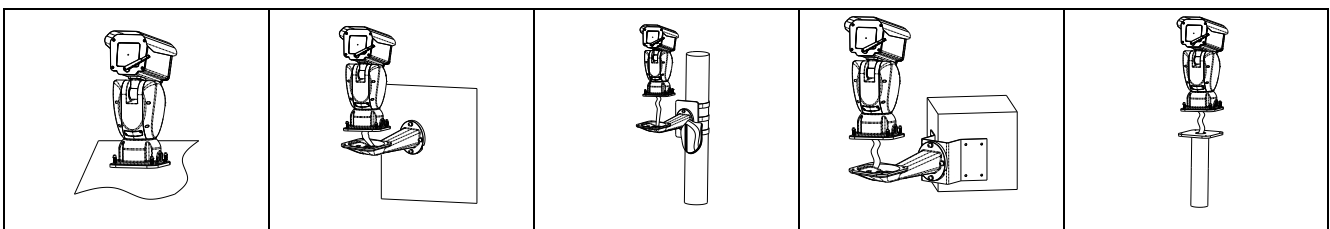
Front View



Side View

(Unit: inch, in the parentheses is mm)

MOUNTING



Surface Mount

Wall Mount

Pole Side Mount

Corner Mount

Pole Top Mount