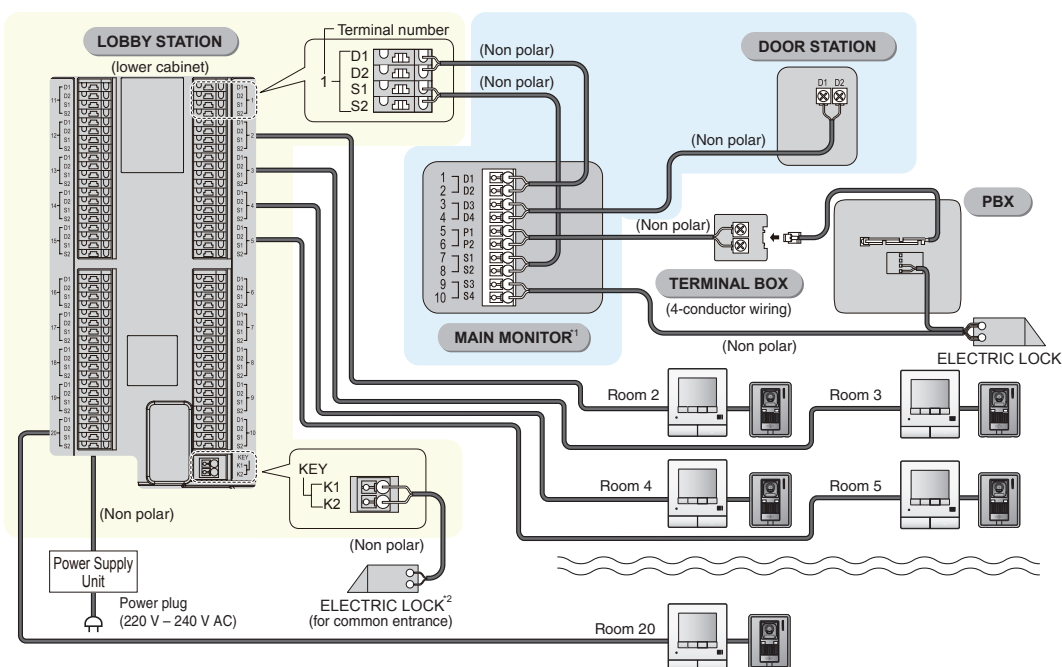




Key Features

- **Lobby Station with 10 Keys for Up to 20 residences:** A basic Lobby Station with high functionality for smaller apartments.
- **Quick and Easy Installation:** The non polar 2-wire cables make installation quick and easy.
- **Diverse Monitor Line-up:** You can choose a monitor that best fits your budget and purpose from our diverse line-up.
- **Room Number Display (7-segment LED Indicator):**
The 7-segment LED indicator allows you to easily confirm the room number you have selected.
- **Name Plates (Room Number Plates):** You can show the name of each household on a name plate.
- **Electric Lock Release:** The door lock can be easily and quick released. If an optional monitor is connected, you can release locks from any room.
- **Door Unlocking via PIN Code:** A PIN code can be entered to unlock the common entrance from the Lobby Station.
- **Adjustable Camera Angle:** The camera angle control lever can be used to adjust the camera angle a maximum of 15° upwards and 5° downwards.
- **Backlight Compensation Switch:** The switch on the back of the upper cabinet can be used to compensate for backlight dimming.

Wiring Schematic Diagram / System Configuration



*1 Connecting the lobby station to the main monitor stations

- Be sure to perform the following to ensure proper operation:
 - Connect terminal D1/D2 of each numbered terminal (1 - 20) on the lobby station to the wire from D1/D2 on the main monitor station.
 - Connect terminal S1/S2 of each numbered terminal (1 - 20) on the lobby station to the wire from S1/S2 on the main monitor station.

*2 Connecting the lobby station to a door opener (for common entrance)

- Before connecting to a door opener, make sure that:
 - K1/K2 terminal: Normally open/Actively short
 - The door opener is less than 30 V AC (1 A), 24 V DC (1 A). Do not connect to a door opener that is more than 30 V AC (1 A), 24 V DC (1 A), otherwise the unit may be damaged.
 - K1/K2 terminal on the lobby station is not the power supply to the door opener. If the door opener needs a power supply device to connect to the lobby station, contact the dealer where you purchased the door opener.
- After connecting the door opener to the lobby station, confirm that the door can be properly locked/unlocked using the main monitor station depending on the status of the door opener. If you have set a PIN, confirm that the door can be properly locked/unlocked using the PIN depending on the status of the door opener.

Wire type and distance

• Wire (between the lobby station and the main monitor station):

Type	Distance	Loop resistance
General cable CAT-3	Maximum 50 m	10 Ω or lower
General cable 22 AWG (φ 0.65~0.8)	Maximum 100 m	

• DC cable (between the lobby station and the power supply unit):

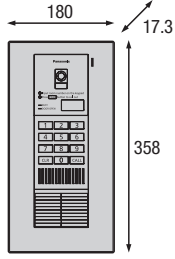
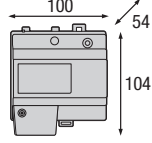
Type	Distance	Loop resistance
Single-wired cable φ 1.2~2.0	Maximum 50 m	10 Ω or lower
Twisted-wired cable 16~14 AWG		

Model Composition

VL-V591

VL-V591 x 1

Specifications

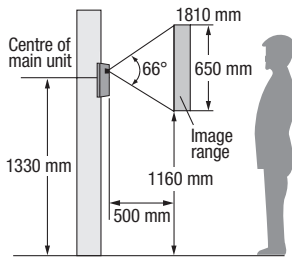
Model number and name	VL-V591 (Lobby Station)	
Dimensions (Unit: mm)	 <p>Up to 20 main monitors can be connected.</p>	VL-PS241 (Power Supply Unit)
		
Power source	Power supply unit (VL-PS241)	Input: 220-240 V AC, 0.2 A (50/60 Hz), Output: 24 V DC, 0.6 A
Power consumption	Standby: 0.02 A, During operation: 0.03 A	-
Dimensions (H x W x D) (Excluding protruding sections)	358 x 180 x 17.3 mm (Excluding sections embedded into the wall)	104 x 100 x 54 mm
Weight	2.0 kg	215 g
Operating environment	Ambient temperature: Approx. -10 °C to +50 °C Relative humidity (non-condensing): up to 90 %	Ambient temperature: Approx. 0 °C to +40 °C Relative humidity (non-condensing): up to 90 % (indoor use only)
Talking method	Hands-free	-
Viewing angle	Horizontally: Approx. 87°, Vertically: Approx. 66°	-
Installation method	Flush mount (flush mounting box supplied)	Wall mount or attach to DIN rail
External material	Stainless steel and flame retardant ABS resin	Flame retardant PC+ABS resin

Installing the Lobby Station

Installing on a vertical flat wall

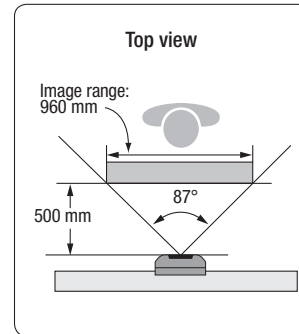
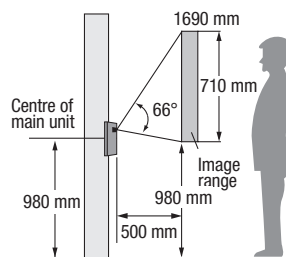
Side view when the camera is facing forwards at 0° (default).

Example: Installation height is 1330 mm (standard position).



Side view when the camera is installed lower than the standard position, and facing upwards at 15°.

Example: Installation height is 980 mm.

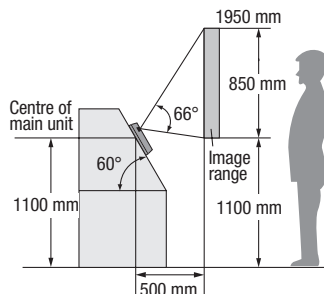


Installing on a tilted pedestal

- Do not install on a pedestal tilted at less than 45°.

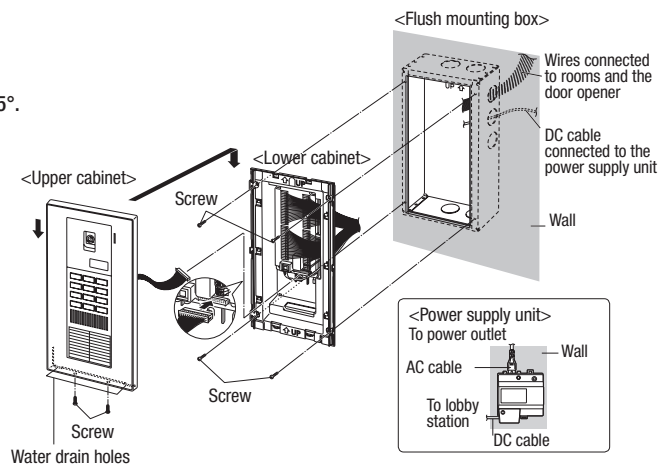
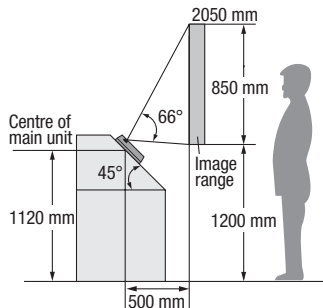
Side view when the camera is installed on a pedestal tilted at 60°, and facing forwards at 0° (default).

Example: Installation height is 1100 mm.



Side view when the camera is installed on a pedestal tilted at 45°, and facing downwards at 5°.

Example: Installation height is 1120 mm.



Important

- Safety Precaution: carefully read the operating instructions and installation manual before using this product.

- The actual product may vary slightly from photograph.
- Weights and dimensions are approximate.
- Design and Specifications are subject to change without notice.
- These products may be subject to export control regulations.

DISTRIBUTED BY :

Panasonic