

# VH211-A4 SERIES

HD 4MP WDR IR SMART IP BULLET CAMERA

**Infinova**<sup>®</sup>



## FEATURES

- 1/3" CMOS sensor
- IR-Cut Removable (ICR) Filter for Day/Night switching
- IR distance up to 50m
- Uses Smart-IR technology; auto-adjusts IR lamp power according to ambient illumination
- Supports multi-frame integration WDR, with dynamic range up to 120dB
- Smart functions, such as perimeter protection (wire cross and invasion detection) and features detection (scene change, defocus, color cast, low brightness and high brightness)
- Built-in motorized zoom lens, supporting assistant focusing
- H.265+M-JPEG or H.264+M-JPEG video encoding, three streams
- Maximum resolution supports 2592×1520@20fps, 2048×1520@30fps
- Bi-directional audio, G.711-A/G.711-U/AAC optional
- Supports corridor mode
- Local PC recording
- Supports TF card storage
- Support alarm recording and event recording (including network disconnection)
- Supports alarm snapshot and event snapshot
- Up to 8 ROI (Region of Interest) areas
- Supports motion detection, 4 areas configurable
- Supports live access and parameter setting via Web Server from multiple users
- Supports privacy mask, 4 privacy areas configurable
- ONVIF Profile S/G & ONVIF Profile T compliant
- Supports PoE/12VDC/24VAC power supply
- IP67 rating
- With analog video output

# DESCRIPTION

VH211-A4 Series HD 4MP WDR IR Smart IP Bullet Camera adopts a 1/3" progressive scan CMOS sensor and has an internal 2.8-12mm & 7-22mm HD motorized zoom lens, together with internal dot matrix LED IR illuminators covering 50m distance. The output power of IR illuminators can be automatically adjusted according to the lighting of the scene to avoid full load, greatly reducing the power consumption and extending the service life.

The camera adopts H.265/H.264/M-JPEG encoding, features high resolution up to 2592×1520@20fps and provides outstanding color rendition which helps you get richer and more accurate details.

The camera also features multiple smart functions, including detection of wire-cross, intrusion, scene change, defocus and color cast, as well as low brightness and high brightness, which makes it suitable for all kinds of high-end applications.

The camera is compact in structure and easy to install.

The products can be widely used in sites that demand high-definition image quality with no lighting of ordinary buildings, supermarkets, hotels, shops, parks, schools, factories, warehouses, underground parking lots, etc.

# TECHNICAL SPECIFICATIONS

<b>Lens (Visible)</b>		<b>Two-way Audio</b>	Available
Image Sensor	1/3" progressive scan CMOS	<b>Mic &amp; Speaker</b>	-
Optical Zoom	-	<b>Image</b>	
Digital Zoom	-	<b>Shutter</b>	Auto/Manual (1/1s~1/32000s)
Focal Length	f=2.8-12mm, f=7~22mm	<b>WDR</b>	Up to 120dB
Iris	F1.6	<b>Exposure</b>	Scene, Manual, Shutter
Focus	Available with online assistant focus	<b>Sensitivity</b>	Color mode: 0.01 lux@F1.4 (30IRE, AGC ON); B/W mode: 0 lux (IR ON)
FOV(H/V/D)	2.8-12mm - H:104°~30°; V:55°~17°; D:123°~34° 7-22mm - H: 43° ~ 14°	<b>White Balance</b>	Auto/Manual/Outdoor
Lens Mount	Φ14	<b>Video Adjustment</b>	Brightness, contrast, saturation, chroma, sharpness
<b>Lens (Thermal)</b>		<b>Noise Reduction</b>	3D
Imager Type	-	<b>S/N Ratio</b>	≥52dB
Lens Type	-	<b>Defog</b>	Available
Spectral Band	-	<b>EIS</b>	Available
Pixel Size	-	<b>Mirror</b>	Horizontal/Vertical mirror
NETD	-	<b>Corridor Mode</b>	Available
Focal Length	-	<b>Day/Night Switching</b>	ICR
FOV	-	<b>AGC</b>	Auto/Manual adjustable, max. 64X
<b>Video</b>		<b>BLC</b>	Available
Camera Resolution (Visible Lens)	4MP	<b>HLC</b>	Available
Camera Resolution (Thermal Lens)	-	<b>Privacy Mask</b>	Up to 4 definable zones
Max. Coding Capacity (Visible Lens)	Major stream: H.264/H.265 -20fps@2592×1520 Minor stream: H.264/H.265 -30fps@1280×720 Third stream: MJPEG -5fps@1920×1080	<b>ROI</b>	Up to 8 definable zones
Max. Coding Capacity (Thermal Lens)	-	<b>OSD</b>	Supported
Data Rate	VBR/CBR Major stream: 256Kbps~1024Kbps; Minor stream: 256Kbps~2048Kbps	<b>Pan/Tilt Functions</b>	
Video Compression	H.265/H.264 switchable M-JPEG independent	<b>Preset</b>	-
Multi-Streaming	Three - stream independent output	<b>Pattern</b>	-
Video Rotation	Video can be rotated by, 90°, 180°	<b>Autopan</b>	-
<b>Audio</b>		<b>Normal Tour</b>	-
Audio Compression	Compression: G.711-A/ G.711-U/ AAC	<b>Home Return</b>	-
Sample Rate	8KHz, 16KHz, 32KHz, 44.1KHz, 48KHz optional	<b>Timing Tour</b>	-
Audio Interface	1 linear input, 1 linear output	<b>Autoscan</b>	-
		<b>Area Zoom</b>	-
		<b>IR Illumination</b>	
		<b>Smart-IR</b>	Available
		<b>Wave Length</b>	850nm
		<b>Night Vision Distance</b>	50m
		<b>Temperature Measurement</b>	
		<b>Screening</b>	-
		<b>Function</b>	-
		<b>Measurement</b>	-

# TECHNICAL SPECIFICATIONS

Measurement Distance	-
Measurement Range	-
Accuracy	-
<b>Smart Analytics</b>	
Video Analytics	Motion Detection -Supports up to 4 motion detecting areas Smart Functions - Video anomaly detection, Wire cross, regional invasion detection
<b>Storage</b>	
Storage Slots	Support single card
Built-in Storage	up to 512GB
NAS Storage	-
Local PC Recording	Available
<b>Alarm</b>	
Alarm Ports	2 alarm inputs, 1 on-off output
Alarm Input	I/O input, smart events, SD card full of videos, SD card full of images, network disconnection, heartbeat loss
Alarm Association	I/O output, email, image upload via FTP, audio, alarm info push, SD card snapshot, SD card recording
<b>System Functions</b>	
Operating System	Win 7 and higher versions
Browser	IE8 and higher versions
Access Protocol	ONVIF Profile S/G/T, CGI 2.7
Multiple Access	Up to 5-ch simultaneous access
Web Server	Available
Remote Upgrade	Available
Password Protection	Available
RS485 Port	-
Analog Video Output	-
Maximum Number of Users	10

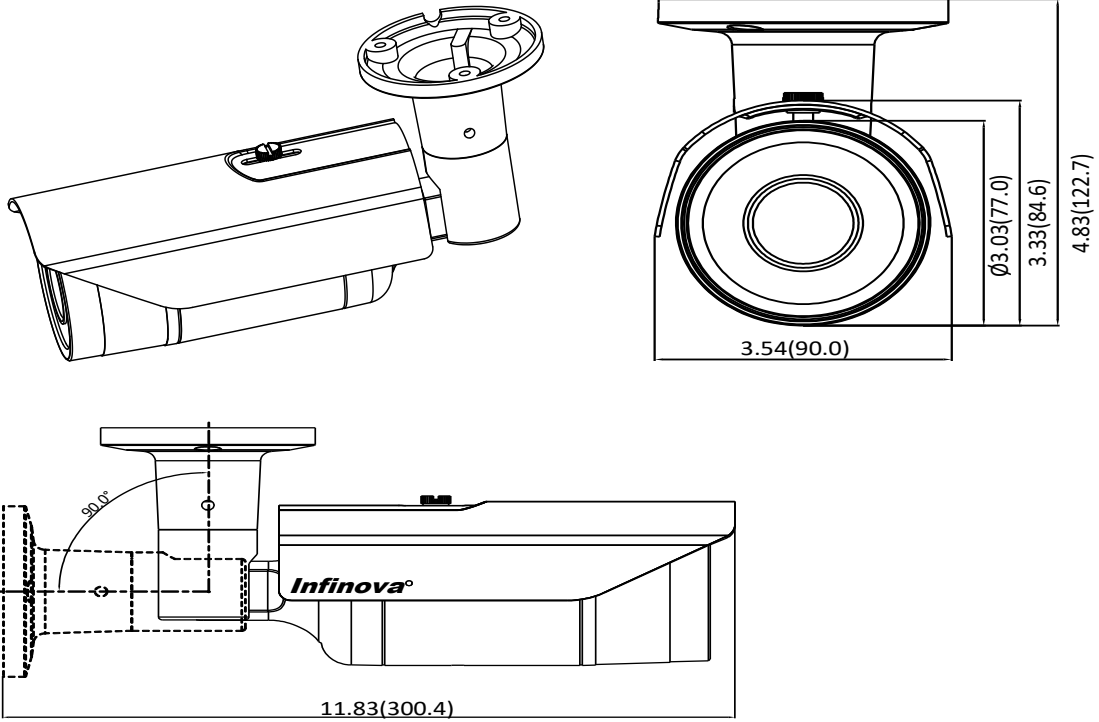
Wiper	-
<b>Network</b>	
Network Interface	1 RJ45 10M/ 100M self-adaptive Ethernet port
Network Protocols	IPv4, IPv6, TCP, UDP, IGMP, DHCP, FTP, SNMP (V3), SMTP, NTP, RTP, RTSP, RTCP, HTTP, HTTPS, TSL, SSL, 802.1X, QoS, PPPoE, DNS, DDNS, ARP, ICMP, UPnP
IP Address Filtering	Available
Network Delay	≤250ms
<b>Environmental</b>	
Anti-Static	contact protection 6KV static
Surge Protection	Difference mode: ±2KV, common mode: ±4KV
Operating Temperature	-40°F ~ 140°F (-40°C ~ 60°C)
Storage Temperature	-4°F ~ 140°F (-20°C ~ 60°C)
Operating Humidity	≤ 95% RH
Environmental Rating	IP67
Impact Resistance	IK10
<b>Mechanical</b>	
Manual Speed	-
Preset Speed	-
Rotation Angle	-
Preset Accuracy	-
Electric Motor	-
<b>Electrical</b>	
Power Supply	PoE (IEEE 802.3af Class 2) /12VDC /24VAC
Power Consumption	<13W
<b>Physical</b>	
Product Dimension (L×W×H) or (H x D)	3.33"×3.54"×11.83" (84.6mm×90mm×300.4mm)
Package Dimension (L x W x H)	14.96"×5.98"×5.12" (380mm×152mm×130mm)
Unit Weight	2.09lbs. (0.95Kg)
Shipping Weight	2.76lbs. (1.25Kg)
<b>Certifications</b>	
Product Certifications	CE; FCC; IP67; IK10; RoHS; UL

# ORDERING INFORMATION

VH211-A40B-A0	HD Megapixel Smart WDR IR IP Bullet Camera, 4MP, 1/3"CMOS, Day/night, H.265/H.264/M-JPEG, 2.8~12mm electric lens, IR illumination distance up to 50m, Outdoor, IP67, With audio alarm, PoE/12VDC/24VAC
VH211-A40E-A0	HD Megapixel Smart WDR IR IP Bullet Camera, 4MP, 1/3"CMOS, Day/night, H.265/H.264/M-JPEG, 7~22mm electric lens, IR illumination distance up to 50m, Outdoor, IP67, With audio alarm, PoE/12VDC/24VAC
<b>Accessories</b>	
<b>Power Supply</b>	
N3921-12D-1	AC to DC Power Supply, Plug-In, 230VAC, Output 12VDC, 1.5A
N3922-24A-2	AC to AC Power Supply, Plug-In, 230VAC, Output 24VAC, 3A
N3922-30P-2	Smart POE Injector, 100VAC-240VAC input, 30W output

**\*Note:** - "Confirmation of SD Card installation has to be notified with the Camera Purchase Order. Such confirmation if received on Order Readiness will attract additional cost. Please contact Infinova to know more".

# DIMENSIONS



(Unit: inch, in the parentheses is mm)