

TNO-6070EP*

Explosion proof fixed camera station

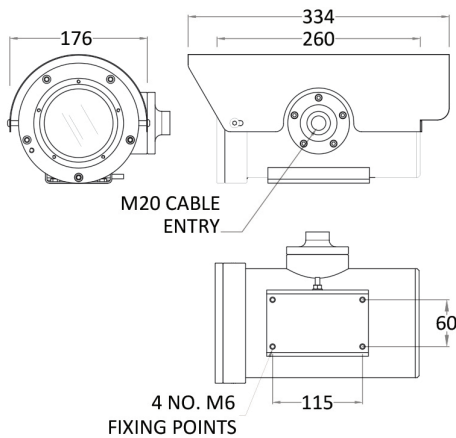


Key Features

- Max. 2M(1920x1080) resolution
- H.264, MJPEG dual codec, Multiple streaming
- WDR(120dB), Simple focus, Defog
- Audio/Face/Motion detection
- Multi-crop streaming
- LCus C1/Z1/cLCus C1/D1/INMETRO / cLC CSA certified
- Electro-polished 316L stainless steel on all welded assemblies
- Camera station window in toughened glass
- Supply Voltage: PoE

Dimensions

Unit: mm



Accessories (Optional)



HT-E-BFW320SW



HT-E-BFP005W

TNO-6070EP*

TNO-6070EP*	
VIDEO	
Image sensor	1/2.8" 2.38M CMOS
Resolution	1920x1080 @60fps to 320x180
Lens	1/2.8", Vari-focal (2.8-9.0mm), auto DC iris, CS-mount
Min. Illumination	Color : 0.1Lux (F1.2, 50IRE), 0.03Lux (F1.2, 30IRE) B/W : 0.01Lux (F1.2, 50IRE), 0.002Lux (F1.2, 30IRE)
Streaming	H.264, MJPEG dual codec, multiple streaming, VBR/CBR
Features	Intelligent video analytics, motion detection, day & night (ICR), WDR (120dB), simple focus, auto iris, AGC, SSSDR, ATW, SSSNR III, BLC, DIS, defog
Standards protocols	ONVIF Profile S, TCP/IP, UDP/IP, RTP(UDP), RTP(TCP), RTSP, RTSP, NTP, HTTP, HTTPS, SSL, DHCP, PPPoE, FTP, SMTP, ICMP, IGMP, SNMPv1/v2c/v3(MIB-2), ARP, DNS, DDNS, QoS, PIM-SM, UPnP, Bonjour

SPECIFICATIONS	
Sun shield	Standard stainless steel 316L mirror finish
Ingress protection rating	IP66/67, IP68 (1.5m for 24 hours)
Temperature rating	-10°C ~ +55°C (+14°F ~ +131°F)

ELECTRICAL	
Supply voltage options	PoE
Power Consumption	Max. 12.0W (PoE, Class 3)
Cable entry	One M20 side entry
Body material	Electro-polished 316L stainless steel on all welded assemblies
Fixings material	A4 stainless steel
Camera station window	Toughened glass

CERTIFICATIONS	
INMETRO	Ex d IIC T4 (T5 On Request) Gb -60°C ≤ Ta ≤ +60°C Ex tb IIIC T135° C Db IP66/67. Certificate Number: TUV 12.1080X / TUV 12.1081X
LCus C1/Z1	Class 1 Zone 1 A Ex d IIC T4 (T5 On Request) LC13A11396 Gb -60°C ≤ Ta ≤ +60°C. UL 60079-0:2009 & 60079-1:2009. Certificate Number: 11396-1S-UL
cLCus C1/D1	Class I, Division 1, Groups B,C,D, -60°C ≤ Ta ≤ 60°C T4/ Class II, Division 1, Groups E, F, G IP67 CSA-C22.2 No:30-M1986 No:25-1966(R2009) CSA-C22.2 No:60065-03(R2012) & UL1203,UL60065(ED.7). Certificate Number: 11671-1S / 11677-1S
cLC CSA	Ex d IIC T4 (T5 On Request) LC1311396 -60°C ≤ Ta ≤ +60°C. CAN CSA-C22.2 No.60079-0:2011 & 60079-1-2011. Certificate Number: 11396-1S-CSA
Weight	8.5 Kg (18.9lb)

*Ordering information:

TNO-6070EP-□:
 □ : Z : cLCus C1/D1
 □ : U : LCus C1/Z1
 □ : M : INMETRO
 □ : C : cLC CSA