

SlimLane

Datasheet

Rev. 04 • Update 03/2022

AUTOMATIC
SYSTEMS

SlimLane™



SlimLane single and double swing security entrance lanes offer high bi-directional traffic flow without compromising on security. With a sleek, transparent design and a minimal footprint, the **SlimLane** is designed to blend seamlessly with any architectural style. From the **single lane** to the **compact lane (single or double)** compatible with the most restricted installation spaces to the **extra wide lane** (1400 mm) ensuring easy access for people with reduced mobility, wheelchairs, trolleys and large objects.

The SlimLane 950 and 950EW products are also programmed for variable opening: depending on the type of access permitted, it will be possible to open a 600 or 900 mm passageway for the SlimLane 950 or a 600, 900 or 1200 mm passageway for the SlimLane 950EW.

Equipped with a high-capacity processor and an exclusive detection system, the **SlimLane** products guarantee precise user tracking and prevent unauthorised use.

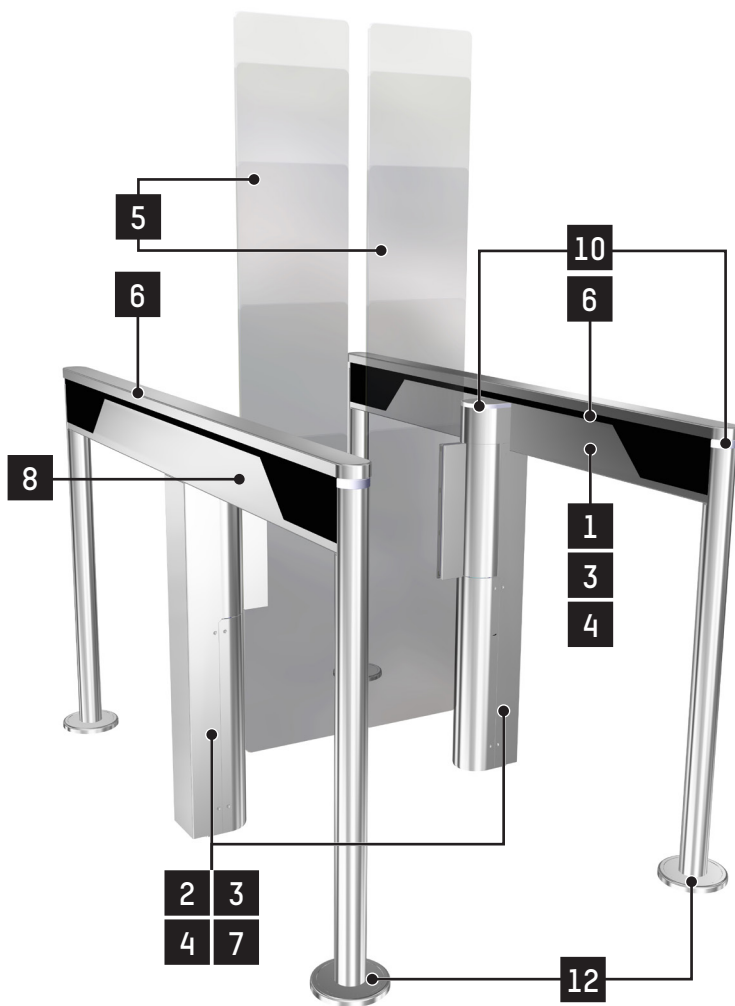
The SlimLane products are modular and can be installed as a single or multiple lane array and combined with narrow, wide or extra wide passageways within the same array. They can also be complemented with a service lane.

Whatever your needs, you will always find the right SlimLane model for you.




www.automatic-systems.com

DESCRIPTION



1. The handrail frame consists of a steel beam with RoHS anti-corrosion zinc plating treatment and stainless steel posts. The handrail holds the photoelectric cells for user detection and the logic control board.
2. Self-supporting kinematic steel frame with RoHS anti-corrosion zinc plating treatment, containing the electromechanical drive unit of each swinging obstacle and the electronic control boards.
3. Brushed N° 4 AISI 304L stainless steel sheet housing.
4. Brushed N° 4 AISI 304L stainless steel sheet panels fastened to the frame for access to the internal components.
5. Clear, 10 mm thick tempered monolithic glass obstacles, swinging in the direction of user passage.
6. Brushed N° 4 AISI 304L stainless steel sheet top cover.
7. Electromechanical obstacle drive units, each comprising:
 - A DC permanent magnet motor with epicyclic gearbox.
 - A controller allowing gradual accelerations and decelerations of the obstacle, ensuring smooth movement and enhanced user safety.
 - A geared electromagnetic brake for the locking of obstacles in the event of forced entry attempts.
 - A sensor controlling the obstacle position.
 - **SECURI-SAFE** standard operating mode: Electromechanical locking of obstacles in the event of forced opening in one of the two directions of passage.
8. Electronic logic control board equipped with ARM technology and the Linux operating system for advanced traffic management. An embedded Web server, accessible via a simple web browser, offering an interface for the configuration of functional gate parameters as well as a complete diagnostic and maintenance tool.
9. Transfer of information via XML-RPC protocol through an Ethernet or USB interface, and dry contacts: passage authorisation, passage information, reader locking, fraud, equipment failure, etc.
10. Orientation and status lights indicating gate and passage status to the user.
11. DIRAS detection system, consisting of a high-density matrix of infrared transmitter/receiver photocells beams for presence detection. It follows users' progression through the gate and ensures their safety during opening/closing of the obstacles.
12. Trim rings for the feet of the handrail.

STANDARD TECHNICAL CHARACTERISTICS (PER LANE)

	SL 940	SL 940SC	SL 944	SL 944SC	SL 945 TWIN	SL 945SC TWIN	SL 950	SL 950SC	SL 950EW
Passageway(s) [L]	600 mm	600 mm	550 mm	550 mm	2 x 550 mm	2 x 550 mm	900 mm	900 mm	1,200 mm 1,400 mm
Minimum opening or closing times	0.65 s ⁽¹⁾	0.65 s ⁽¹⁾	1 s ⁽¹⁾	1 s ⁽¹⁾	1 s ⁽¹⁾	1 s ⁽¹⁾	0.85 s ⁽¹⁾	0.85 s ⁽¹⁾	1.2 s ⁽¹⁾
Weight ⁽²⁾	65 kg ⁽³⁾ 90 kg ⁽⁴⁾	58 kg ⁽³⁾ 83 kg ⁽⁴⁾	65 kg ⁽³⁾ 40 kg ⁽⁵⁾	58 kg ⁽³⁾ 37 kg ⁽⁵⁾	90 kg ⁽⁴⁾ 40 kg ⁽⁵⁾	83 kg ⁽⁴⁾ 37 kg ⁽⁵⁾	65 kg ⁽³⁾ 90 kg ⁽⁴⁾	58 kg ⁽³⁾ 83 kg ⁽⁴⁾	65 kg ⁽³⁾ 90 kg ⁽⁴⁾
Power supply	Single phase 110-240 VAC (+/- 10%) -5A - 50/60 Hz + Ground. ⁽⁶⁾								
Consumption	Standby: 50 W Operating: 170 W Maximum: 300 W								
Motors (x2)	24 DC - Output power 93 W.								
Ambient operating temperature	0 to +50°C.								
Relative ambient humidity	95%, without condensation								
MCBF (Mean cycles between failures)	10,000,000 cycles, in compliance with recommended maintenance ⁽⁷⁾								
Sound level	55 dB ⁽⁸⁾								
IP Rating	IP40								
	Complies with European standards.								

⁽¹⁾ Depending on the access control system reactivity and the speed of the users.

⁽²⁾ With obstacles (height: 900) and without option.

⁽³⁾ Per left/right unit.

⁽⁴⁾ Per intermediate unit.

⁽⁵⁾ Per handrail.

⁽⁶⁾ Not to be connected to a floating network or to a high-impedance earthed industrial distribution network.

⁽⁷⁾ Maintenance operations are detailed in the product's Technical Manual.

⁽⁸⁾ Measured at 1 m from the surface of the machine and at a height of 1.60 m above the ground according to ISO 3744. No hearing protection equipment required.

PRECAUTIONS FOR USE

- For security reasons, children (users shorter than 1 m for mobile obstacles 900 mm high and shorter than 1.3 m for mobile obstacles 1200 mm to 1800 mm high) must be supervised by an adult at all times when in the vicinity of the unit and when passing through the gate.
- When the gate is used by a child accompanied by an adult, the child must precede the accompanying adult.
- If regular use by children is anticipated, Automatic Systems recommends installing all the specific options designed to optimise the level of protection.

WORKS TO BE PROVIDED BY THE CUSTOMER

- Floor mounting.
- Power supply.
- Wiring between lanes of a single group.
- Wiring to external peripheral equipment, if any.
- Integration of accessories.

Note: Please follow the installation plan.

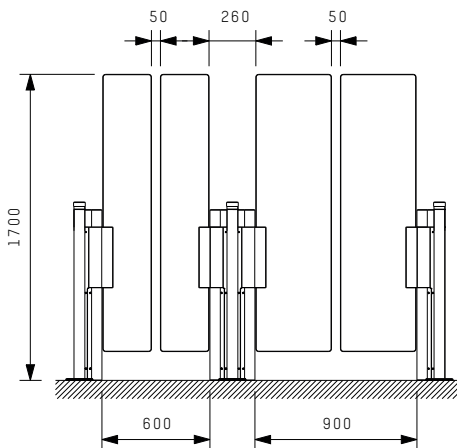
CONFIGURATIONS

Glass obstacles

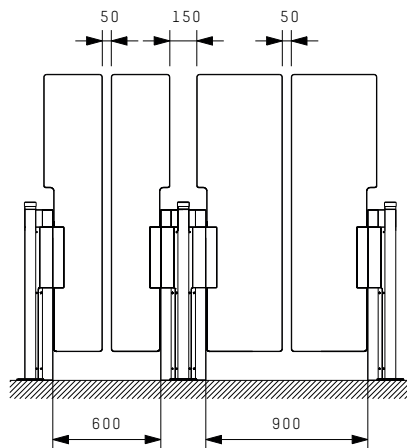
	SL 940	SL 944	SL 950	SL 940SC	SL 944SC	SL 950SC	SL 950EW	SL 945 Twin	SL 945SC Twin
Glass mobile obstacles without extension	●	●	●	●	●	●	●	●	●
Glass mobile obstacles with straight extension	○	○	○	○	○	○	○	○	○
Glass mobile obstacles with chevron extension	○	○	○	○	○	○	○	○	○
Glass height 900mm	●	●	●	●	●	●	●	●	●
Glass height 1200mm	○	○	○	○	○	○	○	○	○
Glass height 1500mm	○	○	○	○	○	○	○	○	○
Glass height 1700mm	○	○	○	○	○	○	○	○	○
Glass height 1800mm	○	○	○	○	○	○	○	○	○

- = standard
- = option

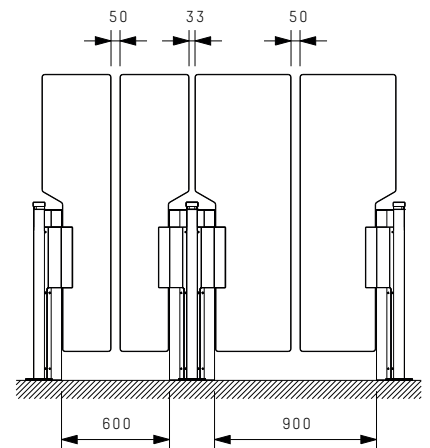
Standard glass obstacles
(without extension)



Glass obstacles
with straight extension



Glass obstacles
with chevron extension

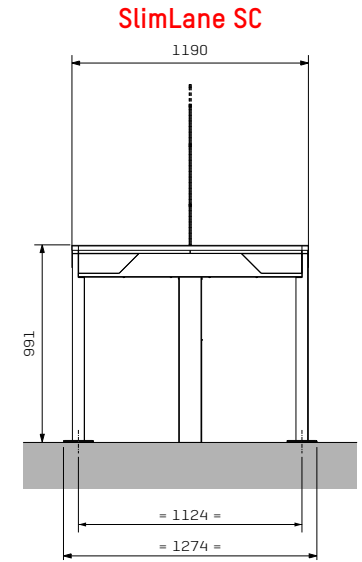
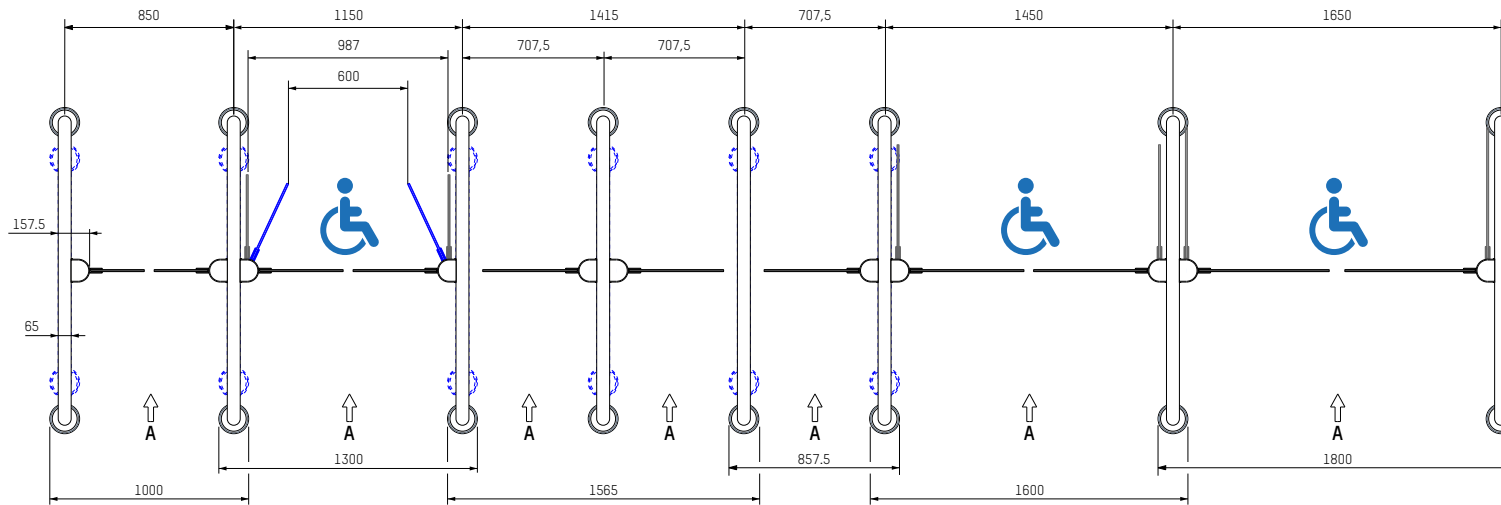
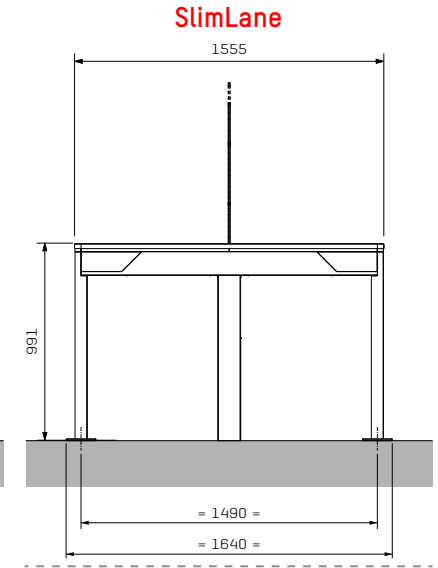
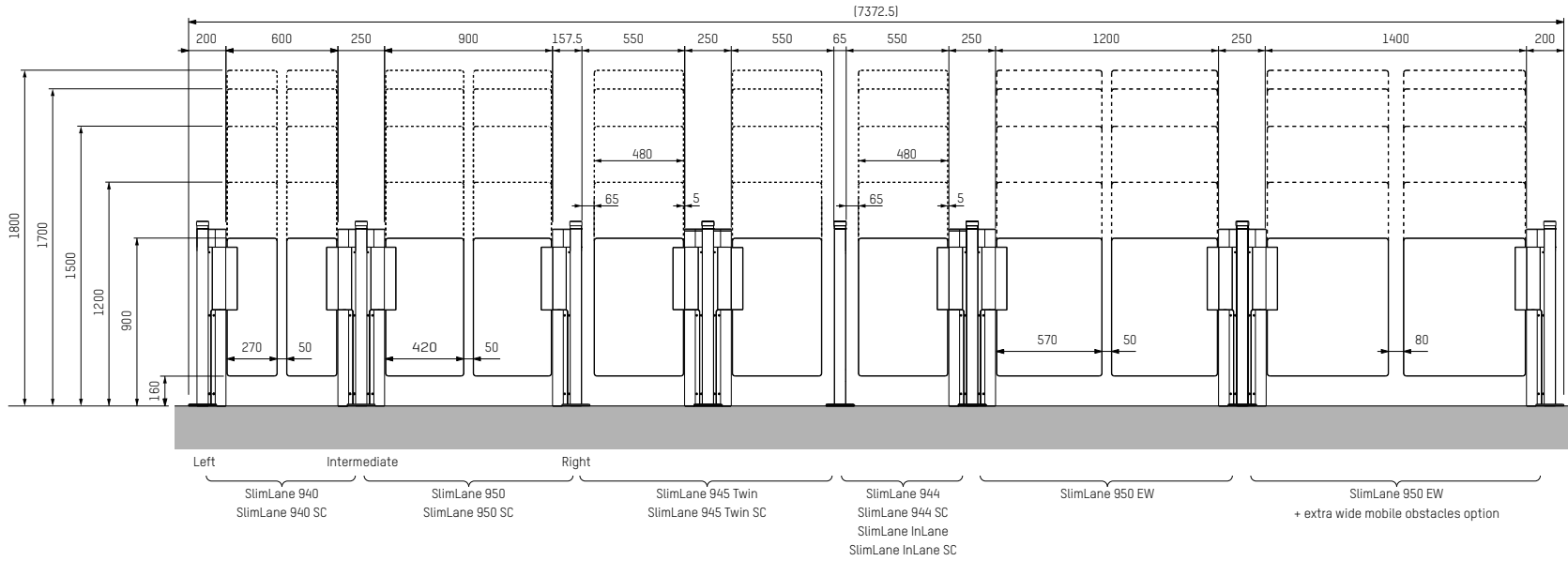


OPTIONS

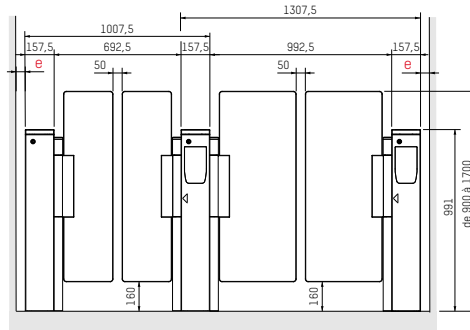
	SL 940	SL 944	SL 950	SL 940SC	SL 944SC	SL 950SC	SL 950EW	SL 945 Twin	SL 945SC Twin
"EGRESS" operating mode: opening of obstacles in the egress direction simply by pushing.	•	•	•	•	•	•	•	•	•
Battery backup for automatic opening in the event of power failure and obstacle locking device in egress direction.	•	•	•	•	•	•	•	•	•
High glass mobile obstacles: 1200, 1500, 1700 or 1800 mm	•	•	•	•	•	•	•	•	•
Extra wide mobile obstacles (1400 mm passage)							•		
End post without bottom flange	•	•	•	•	•	•	•	•	•
Closure glass obstacle	•	•	•	•	•	•	•		
Fixing of closure glass obstacle	•	•	•	•	•	•	•		
Transparent glass side wall with enhanced electronic protection and 'trolley' protection cells kit (A and B directions)	•	•	•	•	•	•	•	•	•
Transparent glass side walls	•	•	•	•	•	•	•	•	•
Fixed side glass panel LED lighting kit	•	•	•	•	•	•	•	•	•
Personalized logo on glass leaves - sticker like sand blasting	•	•	•	•	•	•	•	•	•
Black top cover made of Kraft FK	•	•	•	•	•	•	•	•	•
Finely structured matt powder coat in: RAL9005, RAL5008, RAL6014, RAL7003, RAL7016, RAL9010 (all stainless steel parts coated)	•	•	•	•	•	•	•	•	•
Extension housing (SlimLane EP), including orientation light (A or B direction)	•	•	•	•	•	•	•	•	•
Extended extension housing (SlimLane EP), including orientation light (A or B direction)	•	•	•	•	•	•	•	•	•
Angled housing on the passage for extension housing				•	•	•			•
Integration kit (cut-out + acrylic glass) for extension housing or angled housing	•	•	•	•	•	•	•	•	•
Hinged access door for extension housing (A or B direction)	•	•	•	•	•	•	•	•	•
Visitor badge bin and hinged door for extension housing (A or B direction)	•	•	•	•	•	•	•	•	•
Integrated token acceptor with receptacle and hinged door	•	•	•	•	•	•	•	•	•
Tokens Ø 28 or Ø 30	•	•	•	•	•	•	•	•	•
Independent support post including the standard reader integration kit	•	•	•	•	•	•	•	•	•
External support kit for reader integration on housing	•	•	•	•	•	•	•	•	•
Fixing frame for standard or wide passage or twin - Tiles or stainless steel finish - per lane	•	•	•	•	•	•	•	•	•
Low or high fixed handrail	•	•	•	•	•	•	•	•	•
Raised top	•	•	•	•	•	•	•	•	•
Raised top ready for one barcode reader IBC QSCANT-0G0-ASA (one direction) or two readers (in both directions)	•	•	•	•	•	•	•	•	•
Escape route button per EN 13637 norm, on the front of the left or intermediate leg (B direction)	•	•	•	•	•	•	•		
Support post with escape route button per EN 13637 norm	•	•	•	•	•	•	•		
Cable draw wire for on-site installation	•	•	•	•	•	•	•	•	•
Additional E/S circuit board	•	•	•	•	•	•	•		
Smart & Slim control panel	•	•	•	•	•	•	•	•	•
Smart Touch configurable interactive control panel	•	•	•	•	•	•	•	•	•

Note: for limitations of combinations of options, please contact us.

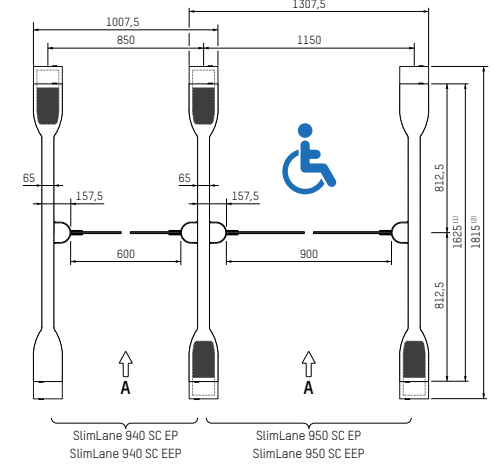
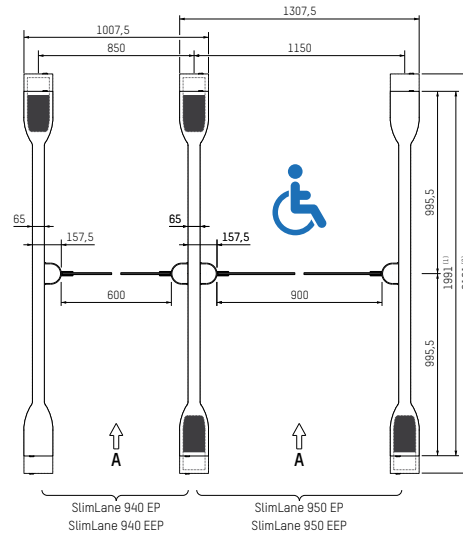
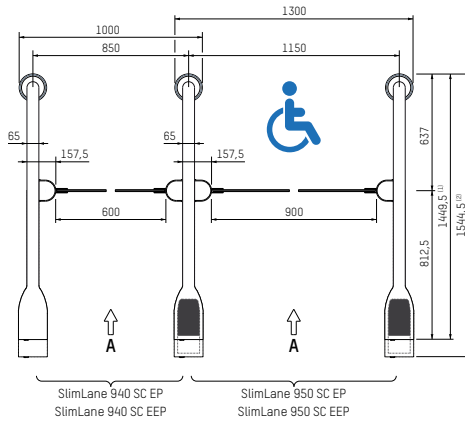
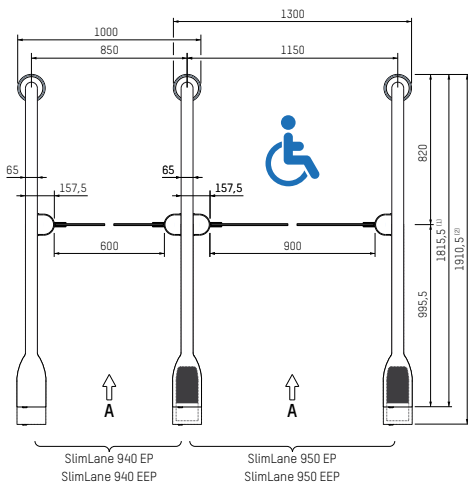
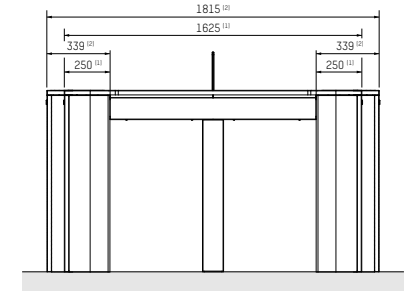
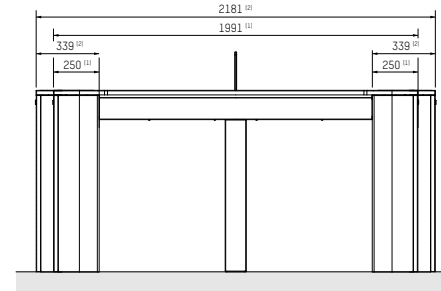
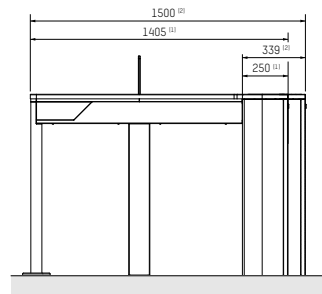
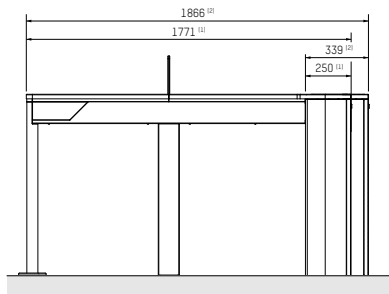
OVERALL DIMENSIONS (MM)



OVERALL DIMENSIONS (MM) - PRODUCTS WITH END POST AND EXTENDED END POST OPTIONS



⁽¹⁾ = Standard End Post.
⁽²⁾ = Extended End Post.
e = Min. 50 mm.



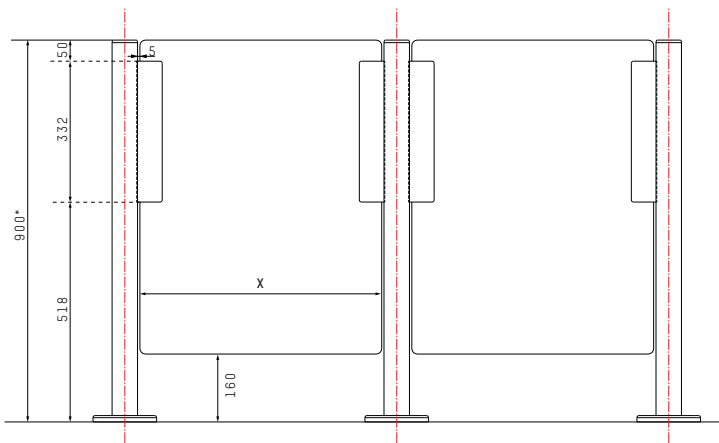


LOW OR HIGH FIXED HANDRAIL (OPTION)

3 configurations are possible:

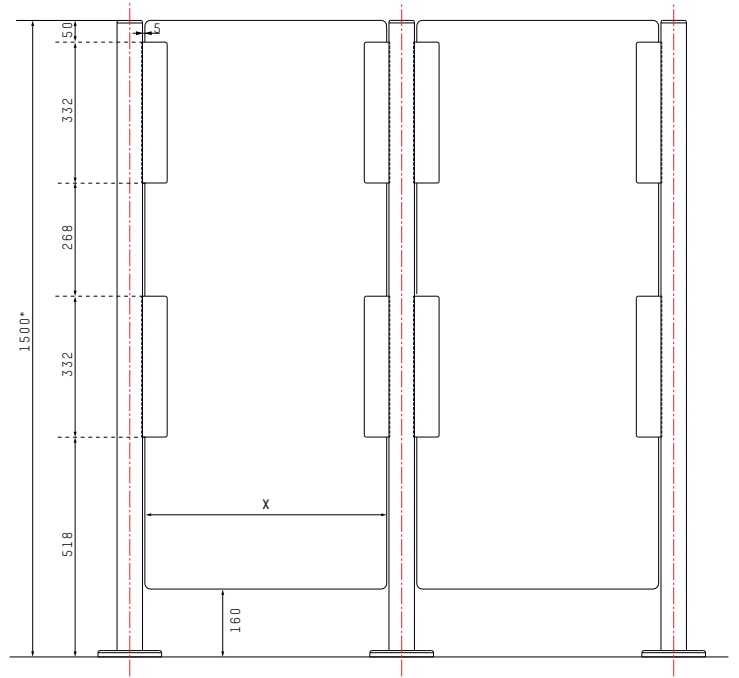
- A** End post
- B** Right angle post
- C** Intermediate post

Low fixed handrail



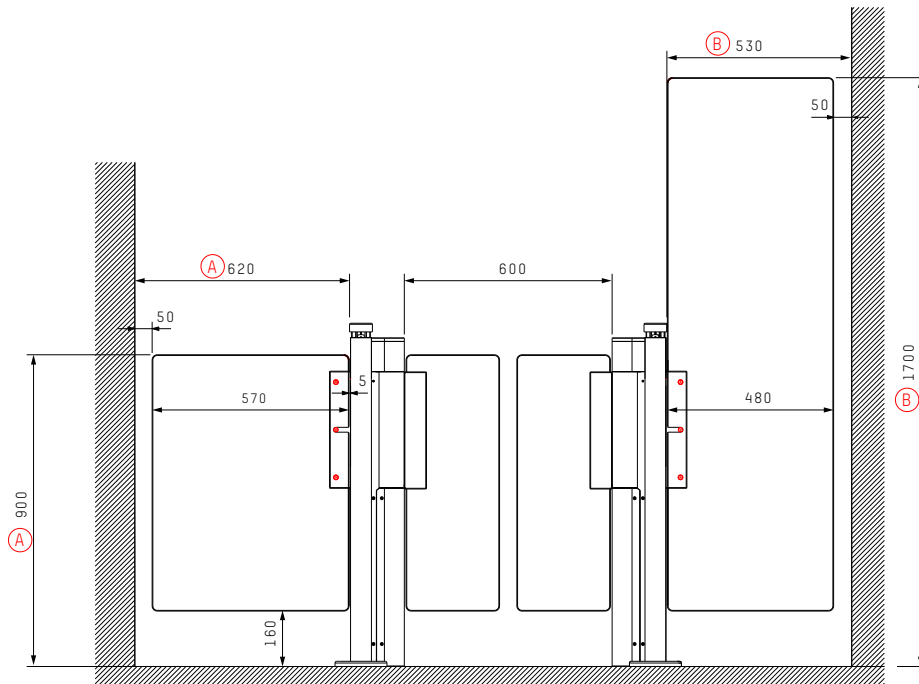
* also possible for 1200mm high glasses

High fixed handrail



* also possible for 1700 or 1800mm high glasses

CLOSURE GLASS OBSTACLE (OPTION) **D**



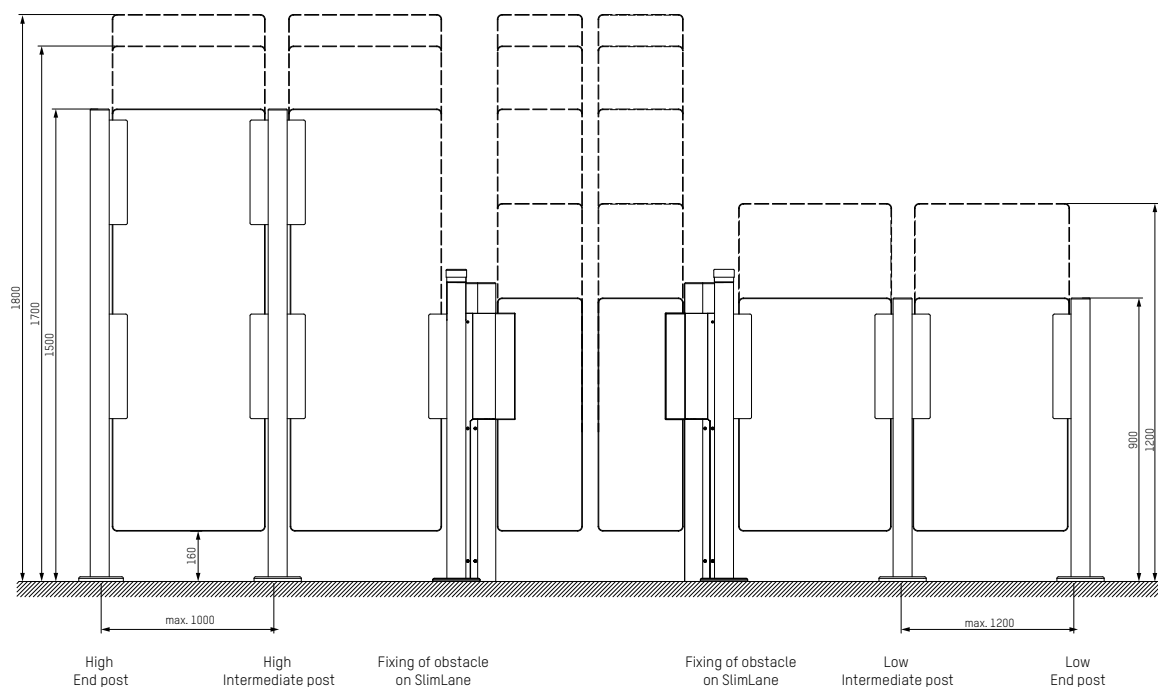
The glass included in this option can have the following maximum dimensions:

- a 570mm width for the 900mm low glass (A).
- a 480mm width for the whole range of heights from 900mm to 1700mm (B).
- a 450mm width for 1800mm high glass.

Note: Bigger dimensions are possible by using a post at the end of the obstacle.

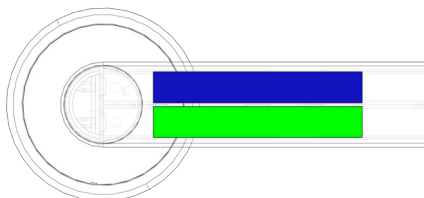
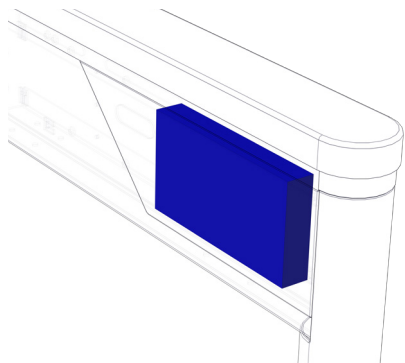
Note: This option can only be mounted on the back side of housing with kinematics.

COMBINATION LOW/HIGH FIXED HANDRAIL WITH FIXING OF OBSTACLE ON SLIMLANE



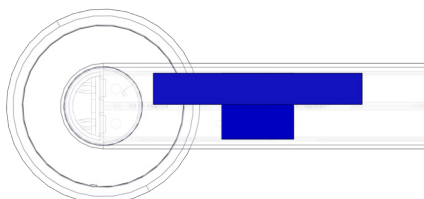
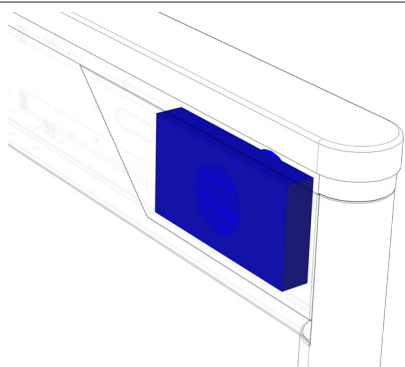
MAXIMUM VOLUMES AVAILABLE FOR READER INTEGRATION

IN THE HANDRAIL



1 or 2x

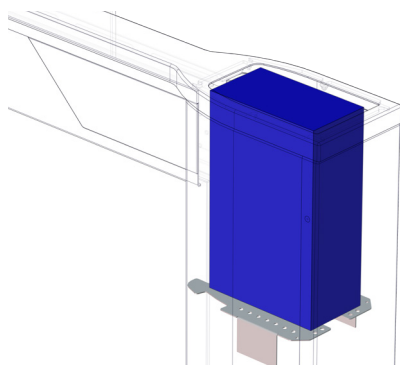
162 x 85.5 x 24.1 mm



1x

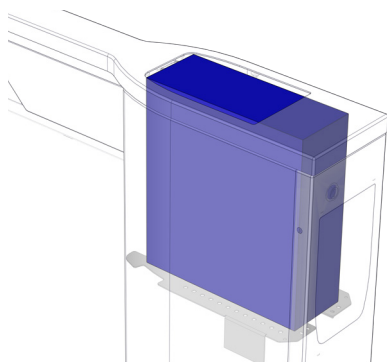
162 x 85.5 x 24.1 mm + cylinder of \varnothing 56 mm
with an additional depth of 27 mm
or
Cylinder only of \varnothing 56 mm with a depth of 51 mm

WITH END POST (EP)



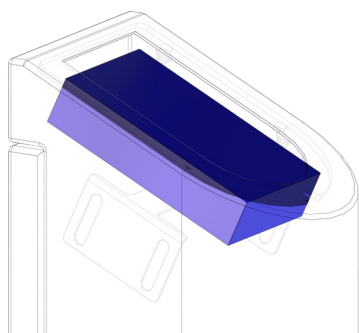
185 x 110 x 285 mm

WITH EXTENDED END POST (EEP)



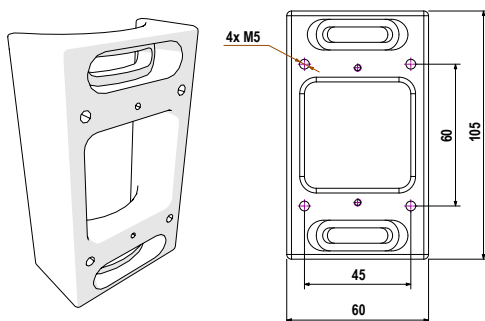
260 x 95 x 285 mm

WITH INDEPENDENT POST



135 x 80 x 30 mm

BRACKET FOR INTEGRATION OF READER ON RAILING POST



Note: If you are in any questions as to which reader should be used, please contact your local sales manager for detailed verification with our design office.

Headquarters

Avenue Mercator, 5
1300 Wavre - Belgium



helpdesk.as@automatic-systems.com



+32.(0)10.23.02.11



www.automatic-systems.com



SlimLane-FT-EN-04a