

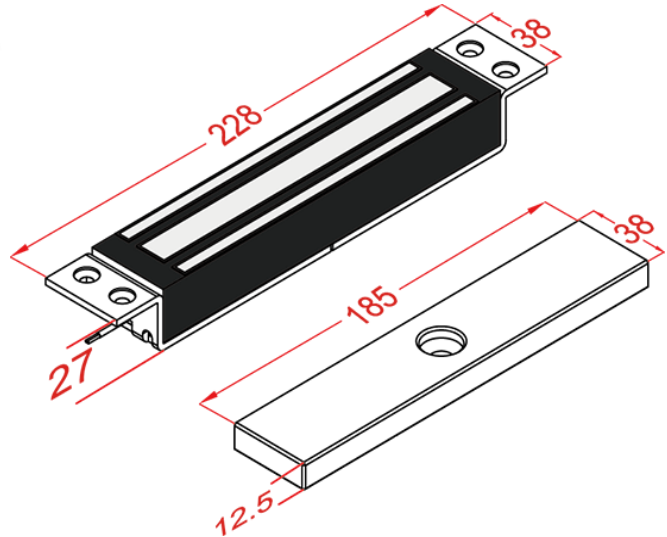
MAGNETIC LOCKS - Mortice Mounted **MLS01 SERIES 600P**

MAGNETIC LOCKS

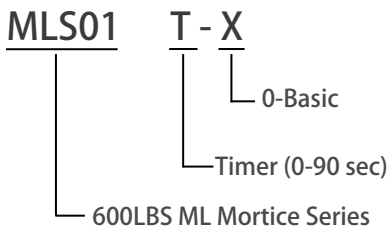


MLS01

- Magnet : 228L*38W*27D mm
- Armature Plate : 185L*38W*12.5T mm



▼ ORDERING INFORMATION



EXAMPLE :

- MLS01-0 : Maglock 600P , Mortice mounted, Basic
- MLS01 : Maglock 600P , Mortice mounted, W /Lock status sensor
- MLS01T : Maglock 600P , Mortice mounted, W /Lock status sensor , Timer

▼ SPECIFICATION

- Mortice Mounted
- Voltage : 12V / 24VDC (Selectable)
- Current Draw : 500mA/12V , 250mA /24V
- Holding Force : about 600LBS
- Built-in voltage spike suppressor
- Special Finish : Zinc (on the magnet & armature plate)

▼ APPLICATIONS

- Suitable for sliding doors
- Selectable material of mounting bracket : steel(default) or aluminum (optional)

▼ BRACKETS INSTALLATION



B0011A . B0012
Armature Plate Housing



B1012 - L&Z Bracket