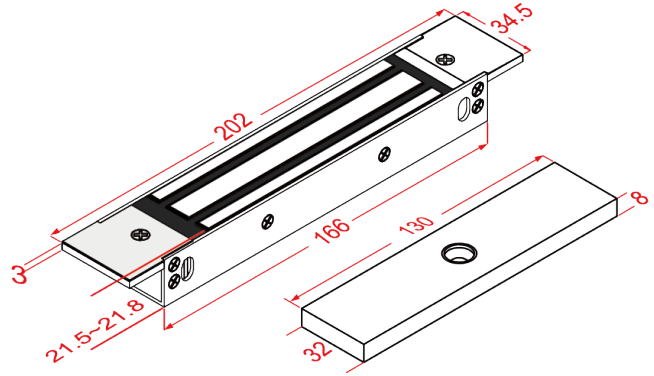


MAGNETIC LOCKS - Mortice Mounted ML300 SERIES 300P

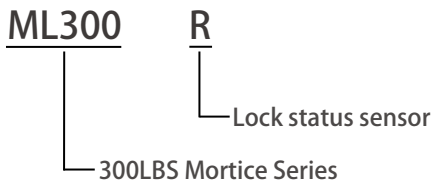


ML300H

- Magnet : 202L*34.5W*21.5D mm
- Armature Plate : 130L*32W*8T mm



▼ ORDERING INFORMATION



EXAMPLE :

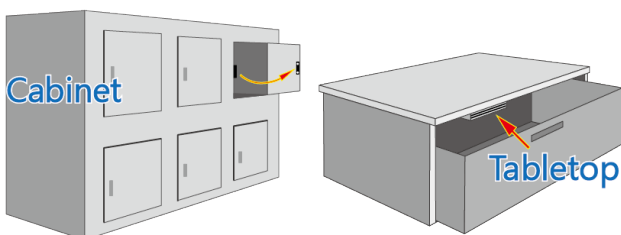
- ML300 : Maglock 300P Mortice mounted, Basic
- ML300R : Maglock 300P, Mortice mounted, W/Lock status sensor

▼ SPECIFICATION

- Voltage : 12V/24VDC (Selectable)
- Current Draw : 360mA/12V , 180mA /24V
- Holding Force : about 300 LBS
- Built-in voltage spike suppressor
- Special Finish : Zinc (on the magnet & armature plate)
- Anodized Aluminum housing

▼ APPLICATION

- Horizontal or vertical installation
- Suitable for in-swing/out-swing/sliding doors , cabinets , drawers , etc.



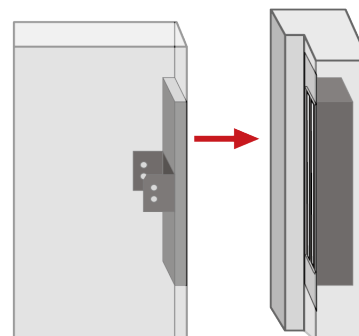
▼ BRACKETS INSTALLATION



B0022 - Armature Plate Housing



B1022 - L&Z Bracket



Mortice Mounted