

Electric Locks

ML-400M Series

Robust, Fail-Safe & Preload Capable



The ML-400M series electric locks are high performance locks for single/double action swing doors and designed for installation on any type of door and frame. They offer different types of double action latchbolts, allowing deadlocking automatically when the door is closed to be secured for ease of use and convenience.

Preload

The ML-400M series features stainless steel construction and is designed with a high preload release capability of **up to 500 lbs of preload** which allows smooth operation under varying loads on the doors and overcomes door preload problems, such as air-conditioning pressure, warped doors, or heavy weather stripping seals.

Standard Features

- For single/double action swing doors
- For narrow frames (25 mm wide faceplate)
- Brushed stainless steel construction
- Fail-safe operation
- Horizontal/Vertical installation
- Door/Latch monitor
- For mortise, surface, or glass mounting
- 6 strike plate options available
(For mortise mount models)

Specifications

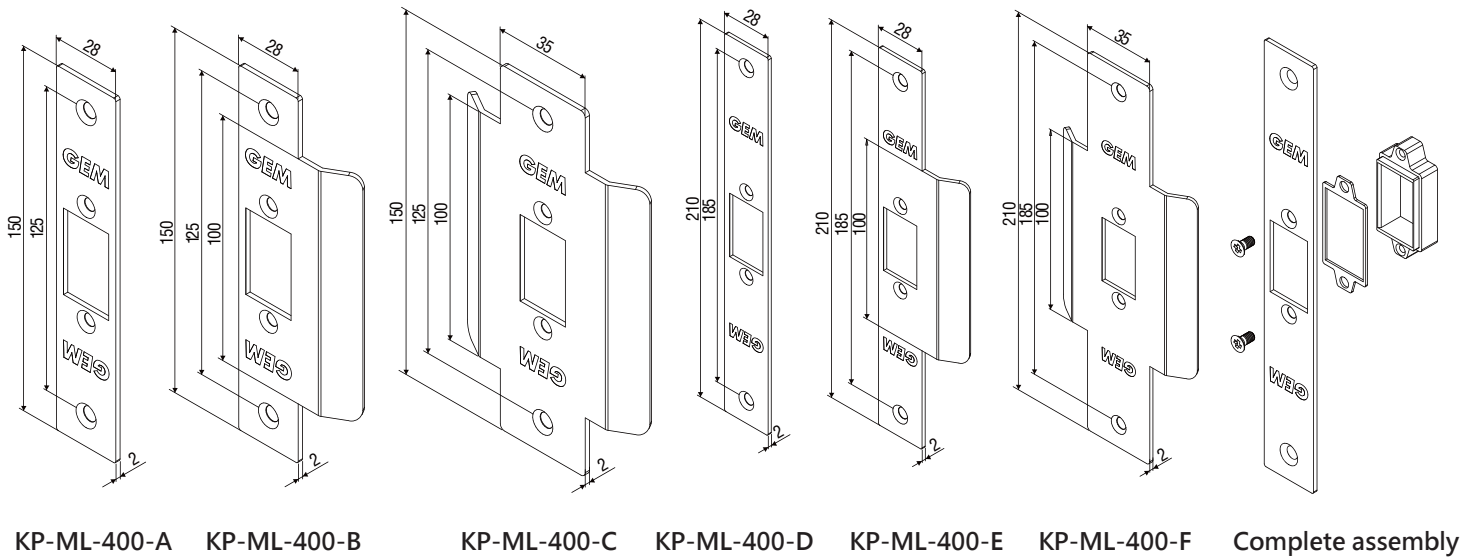
- Operating Voltage: 12~24VAC/DC
- Current Draw: 280mA/12VDC; 180mA/24VDC
- Latch Status Output Contact Rating: 1A/125VAC
- Endurance Rating: 250,000 cycles (Factory tested)
- Static Strength: 1,500 lbs
- Preload: 500 lbs of pressure strength

ML-400M Series Models

- ML-400M: Mortise mount
- ML-400MSMB: Surface mount
- ML-400MVGL: Surface mount
(for frameless glass doors & walls)

Strike Plate Dimensions

Unit: mm



KP-ML-400-A

KP-ML-400-B

KP-ML-400-C

KP-ML-400-D

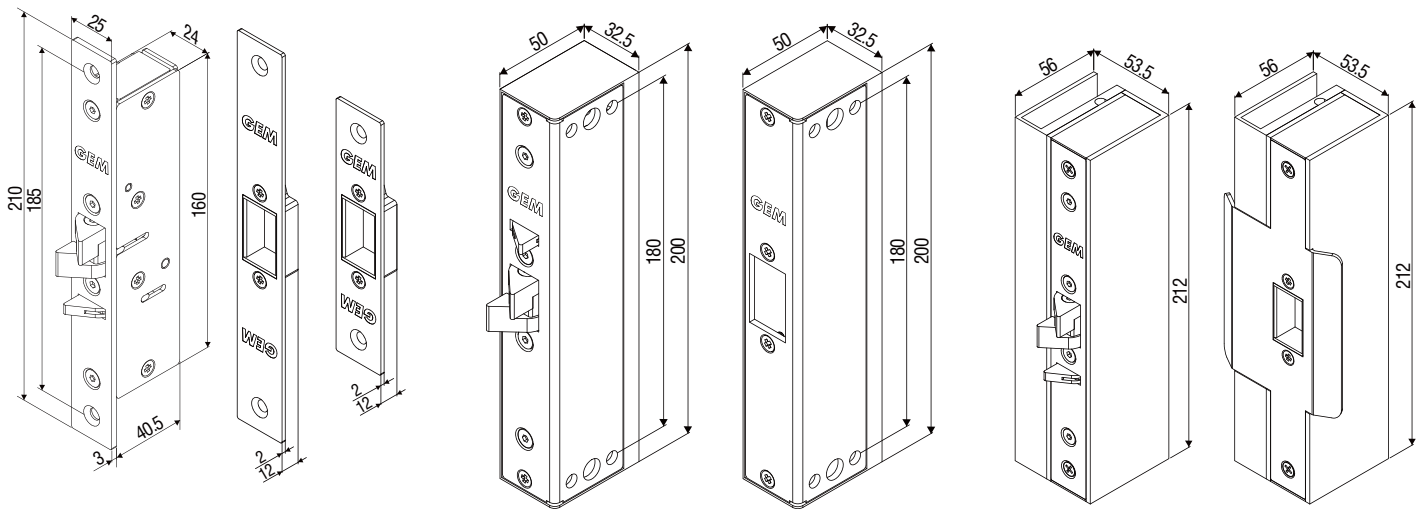
KP-ML-400-E

KP-ML-400-F

Complete assembly

ML-400M Series Dimensions

Unit: mm



ML-400M

ML-400MSMB

ML-400MVGL

Warranty

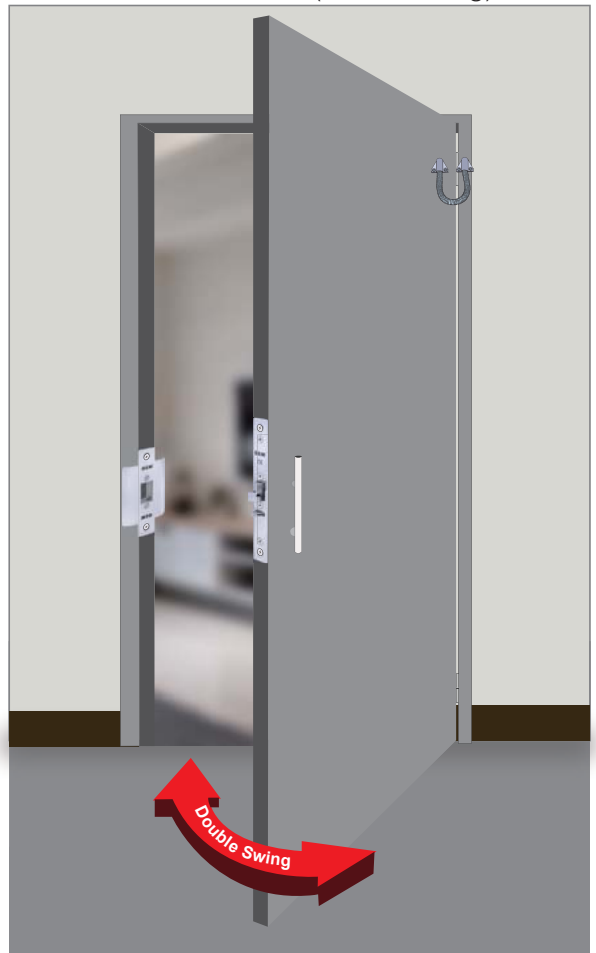
The product is warranted against defects in material and workmanship while used in normal service for a period of 1 year from the date of sale to the original client. The GEM policy is one of continual development and improvement; therefore GEM reserves the right to change specifications without notice.

Installation Diagram

ML-400M: Mortise mount (Single swing)



ML-400M: Mortise mount (Double swing)



ML-400MSMB: Surface mount



ML-400MVGL: Surface mount (for frameless glass doors & walls)

