



Fireray® 3000 Exd

Flameproof Optical Beam Smoke Detector

The Fireray® 3000 Exd is ideally suited for the protection of large areas, with potentially explosive atmospheres, against smoking fires. Fireray® 3000 Exd comprises an infrared transmitter and a receiver, both of which are ATEX-certified for use in Group 2 hazardous areas. There is a separate, safe area, wall-mounted remote/low level control unit to allow adjustment and testing from a convenient non-hazardous location.

The product is designed for large enclosures within oil rigs, refineries, ordnance stores and similar premises. It provides an early warning of smouldering or strongly smoke-generative fires, which may not be picked up by flame detectors installed in many hazardous areas.

Features

- Separate transmitter and receiver unit certified to Exd
- Allows for 2 Detectors per System Controller
- Range 10 to 100 metres, configurable per set of Detectors
- Integral Laser Alignment in Receiver
- 2-wire Interface between Controller and Receiver
- Separate Fire and Fault Relays per Detector
- Remote/low Level Controller with LCD display (Safe Area)
- Programmable Sensitivity and Fire/Fault delay
- Automatic Gain Control (AGC) for drift compensation
- First Fix concept for Transmitter, Receiver and Controller
- Multiple cable gland knockouts for ease of wiring
- Transmitter can be powered from Controller
- Complies with ATEX and EN54:12
- Light Cancellation Technology

Approvals

The Fireray® 3000 Exd complies with the ATEX directive.

Ⓜ II 2GD IP66

Ex db op is IIC T5 Gb
Ex tb IIIC T96°C Db



Operation

The Transmitter head emits a narrow beam of infra-red light to an associated Receiver head. Once smoke crosses through and thus obscures the IR beam path, the signal strength at the Receiver drops below a preset level which in turn results in an alarm condition.

The Fireray® 3000 Exd has been designed so that it can be installed by one operator, with its laser assisted alignment method combined with easy to use alignment LEDs offering visual feedback. Integrated laser alignment aid can be activated at the Controller.

The Fireray® 3000 Exd also has a feature which allows for the Transmitter to be powered from the Controller by wiring directly, thus reducing the number of power supplies required.

The low level Controller incorporates a LCD display, which offers a full icon-based, easy-to-use interface unit. This Controller enables ease of commissioning, testing and maintenance of the beam detection system. During commissioning the detector's fire sensitivity thresholds can be selected, along with the user variable time to fire and time to fault settings.

The system is fully compliant with the requirements of RoHS and WEEE.

Technical Specification

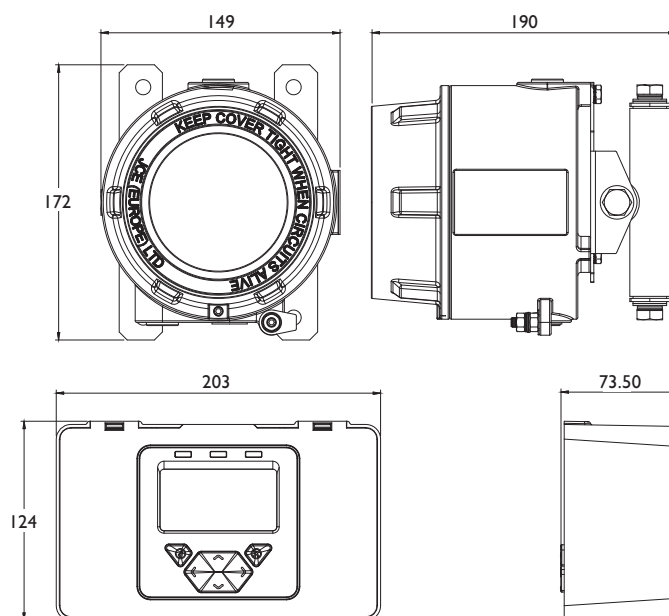
| | |
|--|--|
| Operating Range: | 10 to 100 m |
| Operating Voltage Range: | 12 to 36V DC ± 10% |
| Operating Controller Current (with 1 or 2 Receivers): | 14mA (constant) |
| Operating Transmitter Current: | 8mA (per Transmitter) |
| Power Down Reset Time: | > 20 seconds |
| Fire and Fault Relay Contacts: | VFCO 2A @ 30 Volts DC resistive |
| Operating Temp. (non-condensing): | -10°C to +55°C |
| Optical Wavelength: | 850nm |
| LED Indications: | |
| Control Unit - | Red = Fire Amber = Fault Green = System OK |
| Receiver - | Alignment LEDs for single person alignment. |
| IP Rating: | IP54 (Controller) IP66 (Transmitter/Receiver) |
| Relative Humidity (non-condensing): | 93% |
| Parts List (System): | 1 x Transmitter (clear lens) 1 x Receiver (dark lens) 1 x Control Unit 1 x Fixing Kit 2 x Brackets |
| Parts List (Additional Detector): | 1 x Transmitter (clear lens) 1 x Receiver (dark lens) 1 x Fixing Kit 2 x Brackets |
| Housing Material | |
| (Controller): | UL94 V2 PC |
| (Transmitter/Receiver): | Copper Free Aluminium Alloy LM25, red |
| (Bracket): | Steel, red |
| Cable Gland Entries: | 3 x 20mm |
| CPD Reference: | 0786-CPD-21162 |

All figures are quoted for 25°C

| Alarm & Operation Thresholds | Min | Typ | Max |
|---|------|------|-------|
| Delay to Alarm/Fault (selectable in 1 sec steps): | 2s | 10s | 30s |
| Laser Time-out (selectable in 1 min steps): | 1min | 5min | 59min |
| Response Sensitivity/Threshold (selectable in 1% steps): | 10% | 35% | 60% |

Weight

| | |
|---|-------|
| Control Unit: | 606g |
| Transmitter & Receiver (Inc. Brackets): | 3.7kg |



Installation Recommendations

Please refer to the User Guide (UG) for mounting, wiring and commissioning instructions (available to download from the website). The installation of the Fireray® 3000 Exd infrared optical beam smoke detector should be undertaken in accordance with the recognised national, or international, standards and Codes of Practice (COP).

Specifications and wiring information are provided for information only and are believed to be accurate. FFE Ltd assumes no responsibility for their use. Data and design are subject to change without notice. Installation and wiring instructions are shipped with the products and should always be used for actual installation. For more information, contact your Sales Representative.

Document Part No: 24-0109-02



FFE Limited
9 Hunting Gate, Hitchin
Hertfordshire, SG4 0TJ UK

t +44 (0) 1462 444 740
f +44 (0) 1462 444 789
e sales@ffeuk.com
w www.ffeuk.com

Formerly known as Fire Fighting Enterprises Ltd