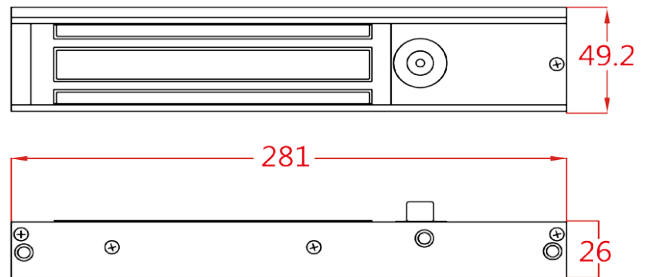


MAGNETIC LOCKS - Energy saving ESL06 SERIES

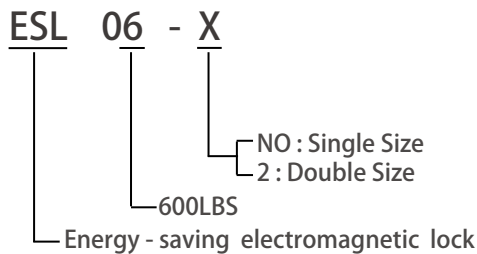
MAGNETIC LOCKS



- Dimension : 281L x49.2W X26Dmm



▼ ORDERING INFORMATION



EXAMPLE :

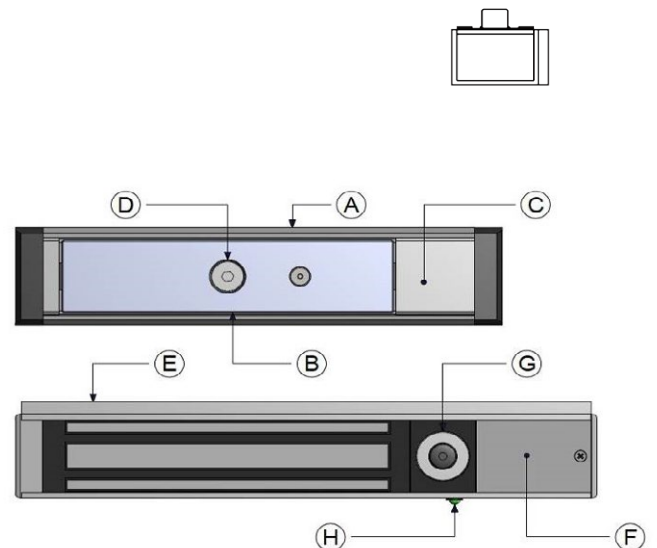
- ESL06 : 600LBS Energy saving

▼ SPECIFICATION

- Input Voltage : 12V~24VDC
- Current Draw : <150mA / 12VDC (100mA / 24VDC) (at saving mode)
- LED indicating power & lock status
- Operating Temperature : -30°C ~ 65°C

▼ FEATURE

- Saving the electric power up to 70% than traditional EM locks
- Terminal block for Request to Exit button switch
- Smart program for tamper attempt
- 28.2kg CO2 emissions is saved/per Lock. Equivalent to planting 7 trees/year
- Multiple national patents
- Gold Metal Award International Invention, Innovation and Technology Exhibition



- A - Rim Housing
- B - Armature Plate
- C - Sensor Plate
- D - M8 Screw
- E - Mounting Plate
- F - Cover
- G - Sensor
- H - LED