

Exit Button

Accessory of Magnetic Lock

DS-K7P01

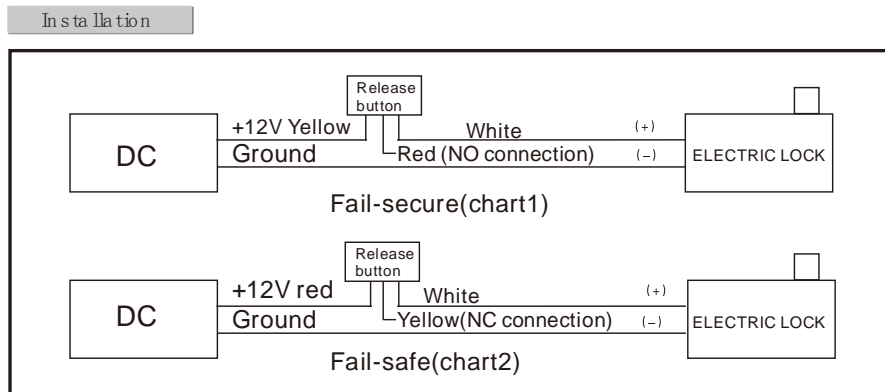
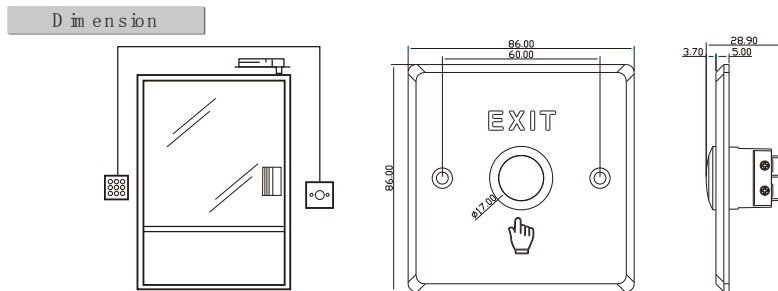
Features

- Dimension (L×W×H): 86×86×28.9mm(3.39×3.39×1.14");
- Structure: aluminum alloy panel, metal button;
- Current Rating: 3A@36VDC Max;
- Output Contact: NO/NC/COM Contact;
- Aging Test: already passed 500 thousand times aging test;
- Suitable Doors: hollow doorframe and embedded-electric box;
- Working Temperature: -10°C to +55°C (14°F to 131°F);
- Working Humidity: 0 to 95% (relative humidity);
- Panel: aluminum panel with sandblast;
- Product Weight: 0.25kg (0.55lb).



DS-K7P01

Dimension and Installation



DS-K7P02

Features

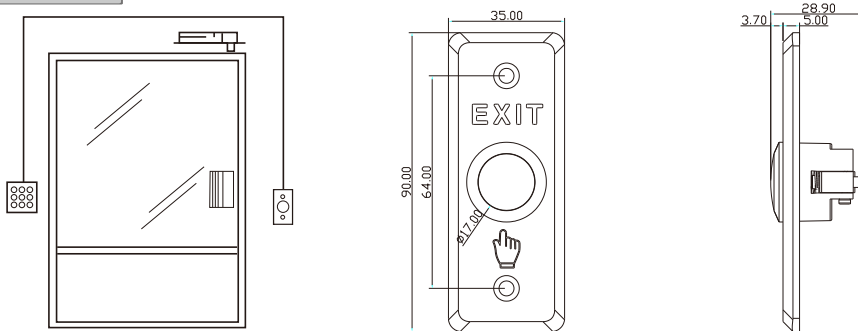
- Dimension(LxWxH): 90x35x28.9mm(3.54x1.38x1.14");
- Structure: aluminum alloy panel, metal button;
- Current Rating: 3A@36VDC Max;
- Output Contact: NO/NC/COM Contact;
- Aging Test: already passed the 500 thousand times aging test;
- Suitable Doors: hollow doorframe and embedded-electric box;
- Working Temperature: -10°C to +55°C (14°F to 131°F);
- Working Humidity: 0 to 95% (relative humidity);
- Panel: aluminum panel with sandblast;
- Product Weight: 0.20kg (0.44lb).



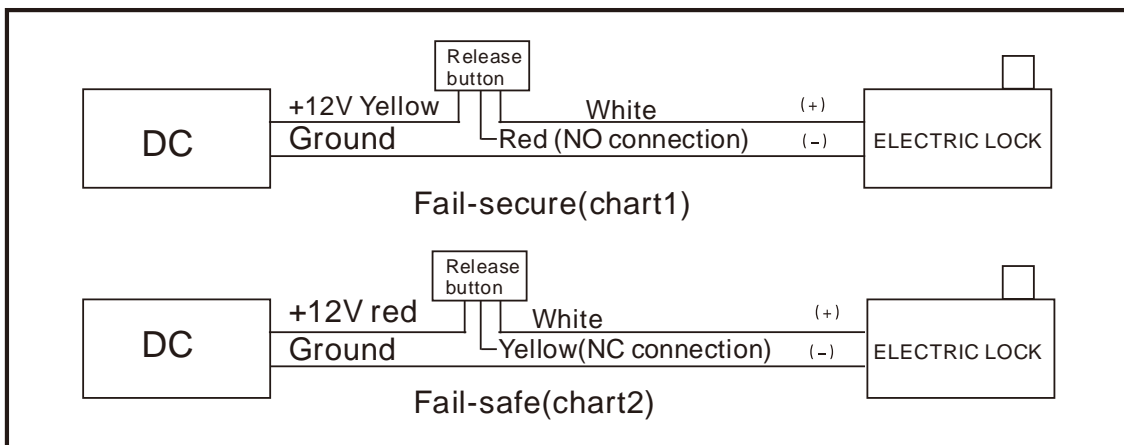
DS-K7P02

Dimension and Installation

Dimension



Installation



DS-K7P03

Features

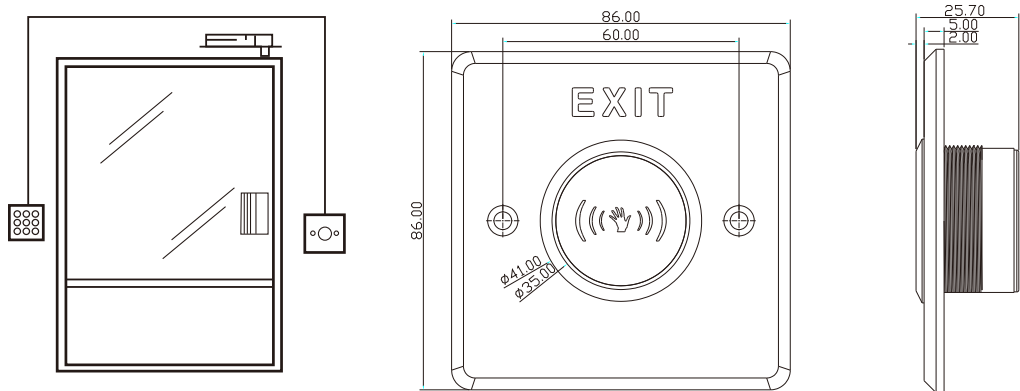
- Dimension(LxWxH): 86x86x25.7mm(3.39x3.39x1.01");
- Input Voltage: DC12V;
- Working Current: 20mA(standby), 50mA(working current);
- Current Rating: 1A@30VDC,0.5A@125VAC;
- Output Contact: NO/NC/COM contact;
- Panel: aluminum panel;
- Aging Test: already passed 1 million times aging test;
- Suitable Doors: all kinds of narrow doorframes;
- Working Temperature: -20°C to +50°C (-4°F to 122°F);
- Working Humidity: 0 to 95% (relative humidity);
- Maximum Inductive Distance: 40 to 100mm(1.57 to 3.94") (adjustable);
- LED Indicator Status: white/green/red LED, indicates power-off/active/Standby;
- Product Weight: 0.15kg (0.33lb).



DS-K7P03

Dimension and Installation

Dimension

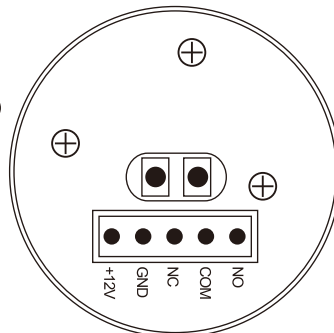


Installation

Detection range: 4-10cm(Adjustable)

VR1 illustration**

- ⊕ The Farthest distance
- ⊕ The Nearest distance



Time delay:0.5S~25S

VR2 illustration**

- ⊕ Min.time delay
- ⊕ Max.time delay

DS-K7P04

Features

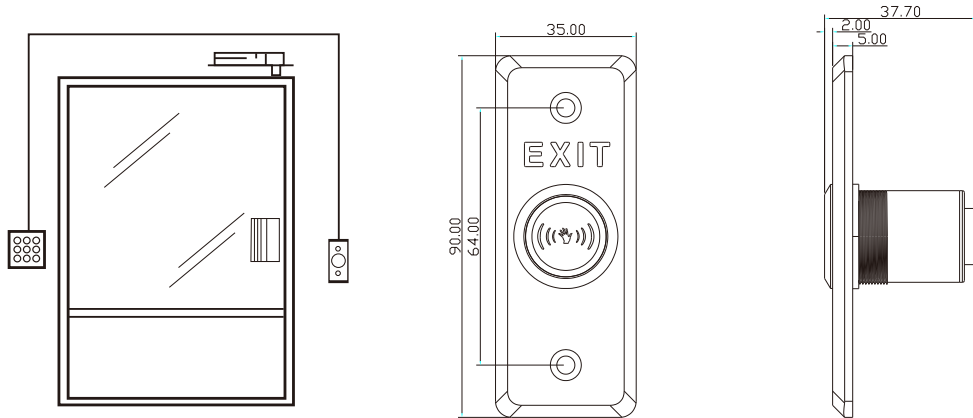
- T Dimension(L×W×H): 90×35×37.7mm(3.54×1.38×1.48");
- Input Voltage: DC12V;
- Working Current: 20mA(standby), 50mA(working current);
- Current Rating: 1A@30VDC,0.5A@125VAC;
- Output Contact: NO/NC/COM Contact;
- Panel: aluminum panel;
- Aging Test: already passed 1 million times aging test;
- Suitable Doors: all kinds of narrow doorframes;
- Working Temperature: -20°C to +50°C (-4°F to 122°F);
- Working Humidity: 0 to 95% (relative humidity);
- Maximum Inductive Distance: 40 to 100mm(1.57 to 3.94") (adjustable);
- LED Indicator Status: white/green/red LED, indicates power-off/active/Standby;
- Product Weight: 0.12kg (0.26lb).



DS-K7P04

Dimension and Installation

Dimension

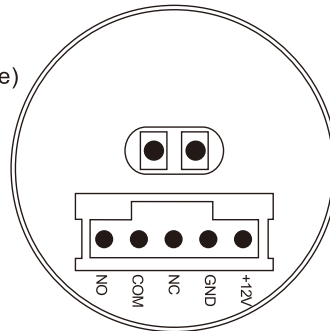


Installation

Detection range: 4-10cm(Adjustable)

VR1 illustration**

- ⊗ Max.detection distance
- ⊕ Min.detection distance



Time delay:0.5S~25S

VR2 illustration**

- ⊗ Min.time delay
- ⊕ Max.time delay

DS-K7P05

Features

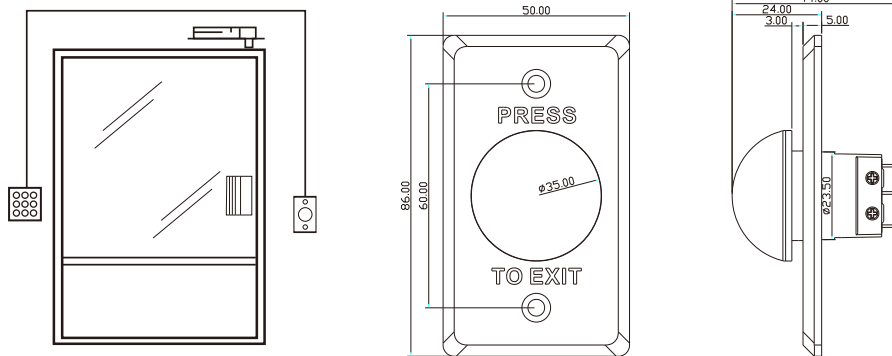
- Dimension(L×W×H): 86×50×44mm(3.39×1.97×1.73");
- Structure: stainless steel panel, metal button, metal bottom case;
- Current Rating: 3A@36VDC Max;
- Output Contact: NO/NC/COM contact;
- Aging Test: already passed 500 thousand times aging test;
- Accessories: equipped with metal bottom case;
- Suitable Doors: all kinds of doors;
- Working Temperature: -10°C to +55°C (14°F to 131°F);
- Working Humidity: 0 to 95% (relative humidity)
- Panel: brushed stainless steel panel;
- Bottom Case: polished zinc alloy with chromium electroplating;
- Product Weight: 0.14kg (0.31lb).



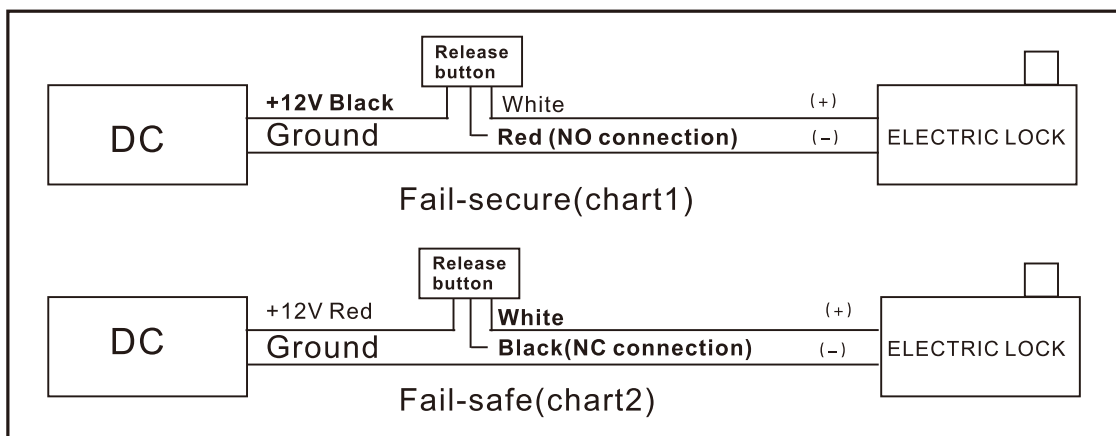
DS-K7P05

Dimension and Installation

Dimension



Installation



DS-K7P06

Features

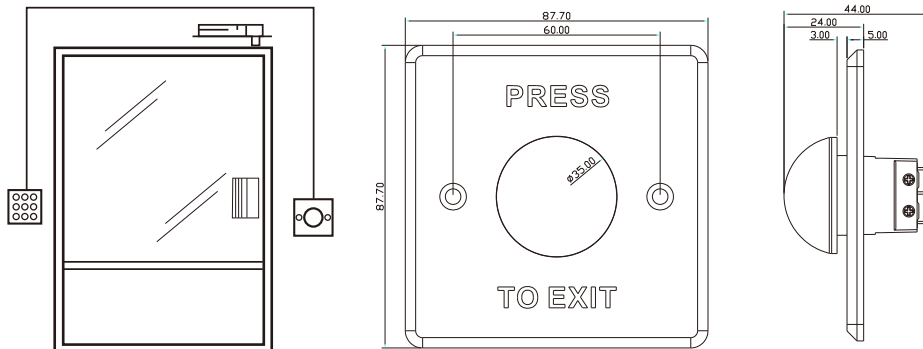
- Dimension(LxWxH): 87.7x87.7x44mm(3.46x3.46x2.13");
- Structure: stainless steel panel, metal button, metal bottom case;
- Current Rating: 3A@36VDC Max;
- Output Contact: NO/NC/COM Contact;
- Aging Test: already passed 500 thousand times aging test;
- Accessories: equipped with metal bottom case;
- Suitable Doors: all kinds of doors;
- Working Temperature: -10°C to +55°C (14°F to 131°F);
- Working Humidity: 0 to 95% (relative humidity);
- Panel: brushed stainless steel panel;
- Bottom Case: polished zinc alloy with chromium electroplating;
- Product Weight: 0.23kg (0.51lb).



DS-K7P06

Dimension and Installation

Dimension



Installation

