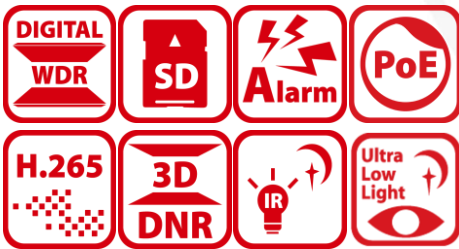


## DS-2DE7430IW-AE E Series 4 MP 30 × IR Network Speed Dome



Hikvision DS-2DE7430IW-AE 4 MP 30 × IR Network Speed Dome adopts 1/1.9" progressive scan CMOS chip. With the 30 × optical zoom lens, the camera offers more details over expansive areas.

This series of cameras can be widely used for wide ranges of high-definition, such as the rivers, forests, roads, railways, airports, ports, squares, parks, scenic spots, stations and large venues.

- 1/1.9" progressive scan CMOS
- Up to 2560 × 1440 resolution
- Excellent low-light performance with powered-by-DarkFighter technology
- 30 × optical zoom, 16 × digital zoom
- Defog, EIS, 3D DNR, BLC, HLC, Digital WDR
- Up to 150 m IR distance
- 24 VAC & Hi-PoE
- Support H.265+/H.265 video compression



## Specifications

Camera Module	
Image Sensor	1/1.9" progressive scan CMOS
Min. Illumination	Color: 0.005 Lux @(F1.5, AGC ON) B/W: 0.002 Lux @(F1.5, AGC ON) 0 Lux with IR
White Balance	Auto/Manual/ATW (Auto-tracking White Balance)/Indoor/Outdoor/Fluorescent Lamp/Sodium Lamp
Gain	Auto/Manual
Shutter Time	50Hz: 1 to 1/30,000 s 60Hz: 1 to 1/30,000 s
Day & Night	IR Cut Filter
Digital Zoom	16 ×
Privacy Mask	24 programmable privacy masks, mask color configurable
Focus Mode	Auto/Semi-automatic/Manual
Digital WDR	Yes
Lens	
Focal Length	5.9 to 177 mm, 30 × Optical Zoom
Zoom Speed	Approx. 4.8 s (Optical Lens, Wide-Tele)
Field of View	Horizontal field of view: 50.8° to 1.7° (Wide-Tele) Vertical field of view: 29.4° to 1° (Wide-Tele) Diagonal field of view: 57.4° to 2° (Wide-Tele)
Working Distance	10 to 1500 mm (wide-tele)
Aperture Range	F1.5 to F3.4
Infrared	
IR Distance	150 m
Smart IR	Yes
IR Control	IR brightness and angle are intelligently adjustable according to the scenes
PTZ	
Movement Range (Pan)	360° endless
Pan Speed	Configurable, from 0.1°/s to 160°/s Preset speed: 240°/s
Movement Range (Tilt)	From -15° to 90° (auto-flip)
Tilt Speed	Configurable, from 0.1°/s to 120°/s Preset speed: 200°/s
Proportional Zoom	Yes
Presets	300
Patrol Scan	8 patrols, up to 32 presets for each patrol
Pattern Scan	4 pattern scans, record time over 10 minutes for each scan
Power-off Memory	Yes

Park Action	Preset/Pattern Scan/Patrol Scan/Auto Scan/Tilt Scan/Random Scan/Frame Scan/Panorama Scan
PTZ Position Display	Yes
Preset Freezing	Yes
Scheduled Task	Preset/Pattern Scan/Patrol Scan/Auto Scan/Tilt Scan/Random Scan/Frame Scan/Panorama Scan/Dome Reboot/Dome Adjust/Aux Output
<b>Compression Standard</b>	
Video Compression	Main Stream: H.265+/H.265/H.264+/H.264 Sub-stream: H.265/H.264/MJPEG Third Stream: H.265/H.264/MJPEG
H.264 Type	Baseline profile/main profile/high profile
Audio Compression	G.711alaw/G.711ulaw/G.722.1/G.726/MP2L2/PCM
SVC	Yes
<b>Smart Features</b>	
Basic Event	Motion Detection, Video Tampering, Alarm Input, Alarm Output, Exception
Smart Event	Audio Exception Detection, Face Detection, Intrusion Detection, Line Crossing Detection, Region Entrance Detection, Region Exiting Detection
Smart Record	ANR (Automatic Network Replenishment), dual-VCA
Region of Interest	Main stream, sub-stream, and third stream respectively support four fixed areas.
Auto-Tracking	Yes
<b>Image</b>	
Max. Resolution	2560 × 1440
Main Stream	50Hz: 25fps (2560 × 1440, 2048 × 1536, 1920 × 1080, 1280 × 960, 1280 × 720); 50fps (1920 × 1080, 1280 × 960, 1280 × 720) 60Hz: 30fps (2560 × 1440, 2048 × 1536, 1920 × 1080, 1280 × 960, 1280 × 720); 60fps (1920 × 1080, 1280 × 960, 1280 × 720)
Sub-Stream	50Hz: 25fps (704 × 576, 640 × 480, 352 × 288) 60Hz: 30fps (704 × 480, 640 × 480, 352 × 240)
Third Stream	50Hz: 25fps (1920 × 1080, 1280 × 960, 1280 × 720, 704 × 576, 640 × 480, 352 × 288) 60Hz: 30fps (1920 × 1080, 1280 × 960, 1280 × 720, 704 × 480, 640 × 480, 352 × 240)
Image Enhancement	HLC, BLC, defog, 3D DNR, EIS, regional exposure, regional focus
<b>Network</b>	
Network Storage	Built-in memory card slot, support Micro SD/SDHC/SDXC, up to 128 GB; NAS (NFS, SMB/ CIFS), ANR
Alarm Linkage	Alarm actions, such as Preset, Patrol Scan, Pattern Scan, Memory Card Video Recording, Trigger Recording, E-Map, VCA Capture, Upload to FTP, Send Email, etc.
Protocols	IPv4/IPv6, HTTP, HTTPS, 802.1x, Qos, FTP, SMTP, UPnP, SNMP, DNS, DDNS, NTP, RTSP, RTCP, RTP, TCP, UDP, IGMP, ICMP, DHCP, PPPoE, Bonjour
API	ONVIF (Profile S, Profile G, Profile T), ISAPI, SDK
Simultaneous Live View	Up to 20 channels
User/Host	Up to 32 users 3 user levels: administrator, operator and user

Security Measures	User authentication (ID and PW), Host authentication (MAC address); HTTPS encryption; IEEE 802.1x port-based network access control; IP address filtering
Client	iVMS-4200, iVMS-4500, iVMS-5200, Hik-Connect
Web Browser	IE 8 to 11, Chrome 31.0+, Firefox 30.0+, Edge 16.16299+
<b>Interface</b>	
Alarm Interface	2-ch alarm input and 1-ch alarm output
Audio Interface	1-ch audio input and 1-ch audio output
Network Interface	1 RJ45 10 M/100 M Ethernet, Hi-PoE
<b>General</b>	
Language (Web Browser Access)	32 languages. English, Russian, Estonian, Bulgarian, Hungarian, Greek, German, Italian, Czech, Slovak, French, Polish, Dutch, Portuguese, Spanish, Romanian, Danish, Swedish, Norwegian, Finnish, Croatian, Slovenian, Serbian, Turkish, Korean, Traditional Chinese, Thai, Vietnamese, Japanese, Latvian, Lithuanian, Portuguese (Brazil)
Power	24 VAC, 2.5 A, 50/60Hz and Hi-PoE, 42.5 to 57 VDC, 1.41 A Max. 40 W, including Max. 19 W for IR and Max. 10 W for heater
Working Environment	Temperature: -30°C to 65°C (-22°F to 149°F), humidity: ≤ 90%
Protection Level	IP66 Standard, IK10 (excluding glass window), 6000V Lightning Protection, Surge Protection and Voltage Transient Protection
Dimension	Φ 220 mm × 353.4 mm (Φ 8.66" × 13.91")
Weight	Approx. 4.5 kg (9.92 lb.)

## DORI

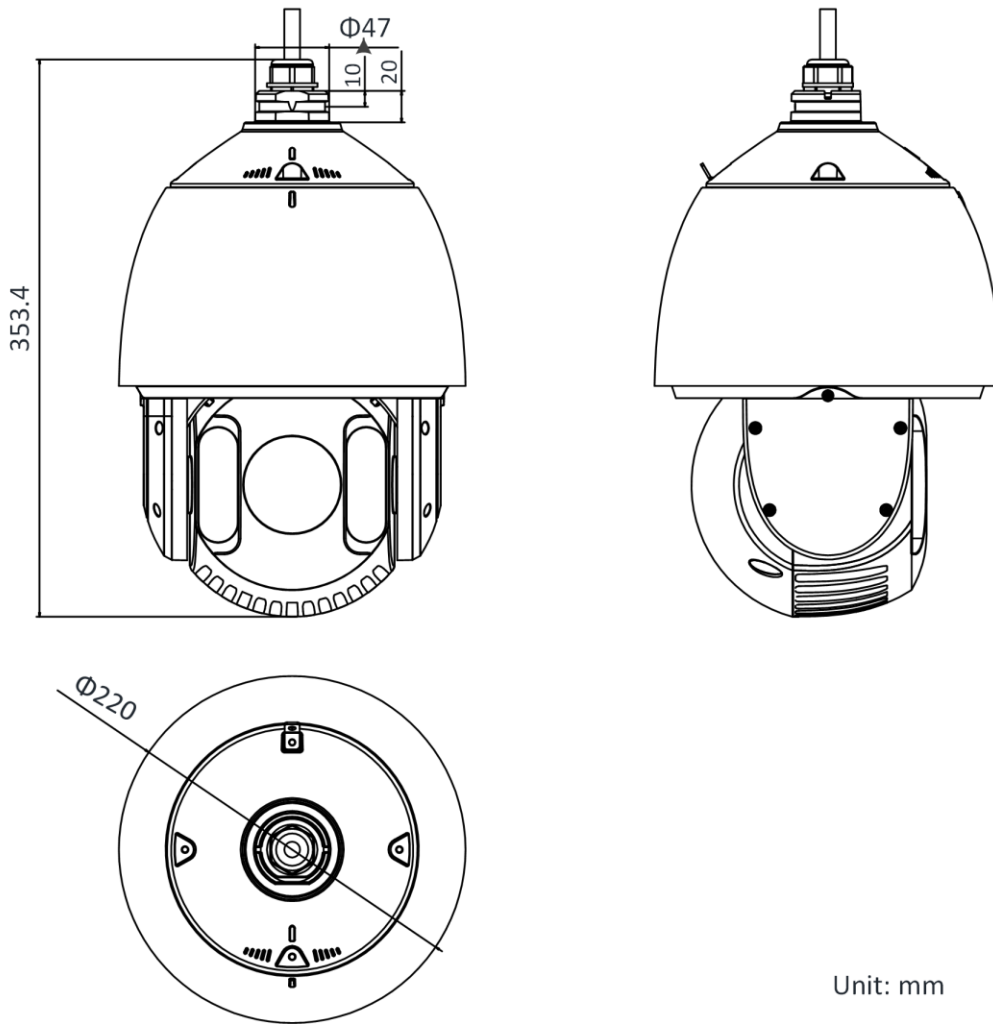
The DORI (detect, observe, recognize, identify) distance gives the general idea of the camera ability to distinguish persons or objects within its field of view. It is calculated based on the camera sensor specification and the criteria given by EN 62676-4: 2015.

DORI	Detect	Observe	Recognize	Identify
Definition	25 px/m	63 px/m	125 px/m	250 px/m
Distance (Tele)	2241.7 m (7354.5 ft)	889.6 m (2918.5 ft)	448.3 m (1470.9 ft)	224.2 m (735.5 ft)

## Available Model

DS-2DE7430IW-AE, 24 VAC & Hi-PoE

## Dimensions



Unit: mm

**Accessory  
Optional:**



**DS-1604ZJ-Box-Corner  
Wall Mount with Junction  
Box**



**DS-1602ZJ  
Wall Mount**



**DS-1604ZJ-Box  
Wall Mount with Junction  
Box**



**DS-1604ZJ  
Wall Mount**



**DS-1682ZJ  
Extendable Pole for  
Pendant Mount**



**DS-1604ZJ-pole  
Vertical Pole Mount**



**DS-1604ZJ-Box-Pole  
Vertical Pole Mount with  
Junction Box**



**DS-1604ZJ-Corner  
Corner Mount**



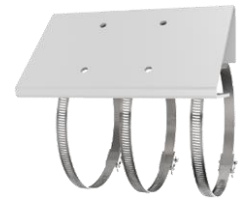
**DS-1661ZJ**  
**Pendant Mount**



**DS-1663ZJ**  
**Ceiling Mount**



**DS-1681ZJ**  
**Installation Adapter**



**DS-1673ZJ**  
**Horizontal Pole Mount**



**DS-1660ZJ**  
**Parapet Wall Mount**



**DS-1662ZJ**  
**Pendant Mount**



**DS-1667ZJ**  
**Extendable Pole for  
Pendant Mount**



**DS-1619ZJ**  
**Gooseneck Mount**



**DS-1005KI**  
**USB Joy-stick**



**HKA-A24250-230(EU)**  
**HKKD-12077(USA)**  
**HKA-A24250-230-BS(UK)**  
**PSE-A1525/5060(JP)**  
**Power Adapter**



**LAS60-57CN-RJ45**  
**Hi-PoE midspan**



**DS-1100KI**  
**Network Keyboard**

*\*DS-1673ZJ should be used with DS-1661ZJ or DS-1602ZJ.*

Distributed by

**HIKVISION®****Headquarters**

No.555 Qianmo Road, Binjiang District,  
Hangzhou 310051, China  
T +86-571-8807-5998  
overseasbusiness@hikvision.com

**Hikvision USA**  
T +1-909-895-0400  
sales.usa@hikvision.com

**Hikvision Australia**  
T +61-2-8599-4233  
salesau@hikvision.com

**Hikvision India**  
T +91-22-28469900  
sales@pramahikvision.com

**Hikvision Canada**  
T +1-866-200-6690  
sales.canada@hikvision.com

**Hikvision Thailand**  
T +662-275-9949  
sales.thailand@hikvision.com

**Hikvision Europe**  
T +31-23-5542770  
sales.eu@hikvision.com

**Hikvision Italy**  
T +39-0438-6902  
info.it@hikvision.com

**Hikvision Brazil**  
T +55 11 3318-0050  
Latam.support@hikvision.com

**Hikvision Turkey**  
T +90 (216)521 7070- 7074  
sales.tr@hikvision.com

**Hikvision Malaysia**  
T +601-7652-2413  
sales.my@hikvision.com

**Hikvision UK & Ireland**  
T +01628-902140  
sales.uk@hikvision.com

**Hikvision South Africa**  
Tel: +27 (10) 0351172  
sale.africa@hikvision.com

**Hikvision France**  
T +33(0)1-85-330-450  
info.fr@hikvision.com

**Hikvision Kazakhstan**  
T +7-727-9730667  
nikia.panfilov@hikvision.ru

**Hikvision Vietnam**  
T +84-974270888  
sales.vt@hikvision.com

**Hikvision UAE**  
T +971-4-4432090  
salesme@hikvision.com

**Hikvision Singapore**  
T +65-6684-4718  
sg@hikvision.com

**Hikvision Spain**  
T +34-91-737-16-55  
info.es@hikvision.com

**Hikvision Tashkent**  
T +99-87-1238-9438  
uzb@hikvision.ru

**Hikvision Hong Kong**  
T +852-2151-1761  
info.hk@hikvision.com

**Hikvision Russia**  
T +7-495-669-67-99  
saleru@hikvision.com

**Hikvision Korea**  
T +82-(0)31-731-8817  
sales.korea@hikvision.com

**Hikvision Poland**  
T +48-22-460-01-50  
info.pl@hikvision.com

**Hikvision Indonesia**  
T +62-21-2933759  
Sales.Indonesia@hikvision.com

**Hikvision Colombia**  
sales.colombia@hikvision.com