

## DS-2CD1623G1-I(Z)(S) 2.0 MP VF Network Bullet Camera



### Key Features

- 1/2.8" Progressive scan CMOS
- 1920 × 1080@30fps
- 2.8 mm to 8 mm manual/motorized (with -Z) varifocal lens
- H.265+, H.265, H.264+, H.264
- Dual stream
- 3D DNR (Digital Noise Reduction)
- Up to 20 m IR range
- PoE (Power over Ethernet)
- IP66



## Specification

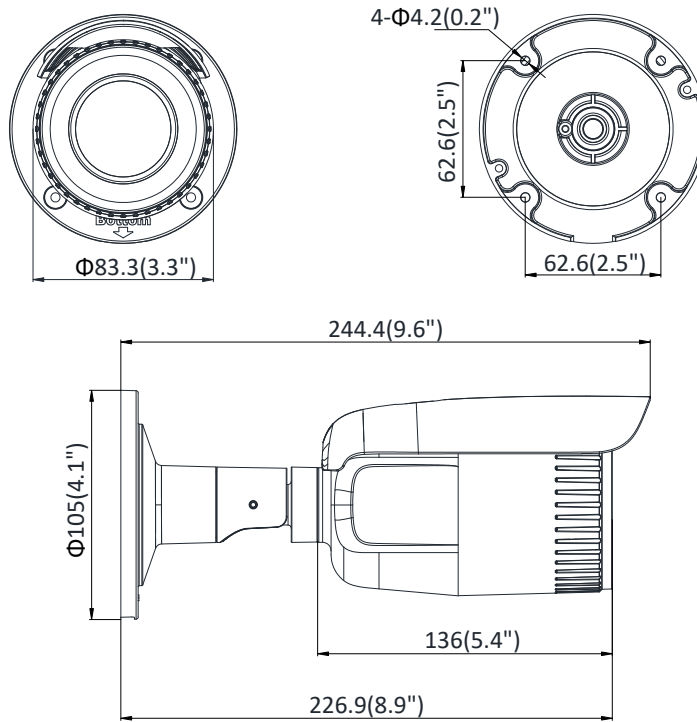
| <b>Camera</b>               |  |
|-----------------------------|--|
| Image Sensor                | 1/2.8" Progressive scan CMOS   |
| Min. Illumination           | Color: 0.01 Lux @ (F1.2, AGC ON), 0.025 Lux @ (F1.9, AGC ON)   |
| Shutter Speed               | 1/3 s to 1/100, 000 s  |
| Slow Shutter                | Yes  |
| Auto-Iris                   | No   |
| Day & Night                 | IR cut filter  |
| Digital Noise Reduction     | 3D DNR   |
| WDR                         | Digital WDR  |
| Angle Adjustment            | Pan: 0° to 360°, tilt: 0° to 90°, rotate: 0° to 360°   |
| <b>Lens</b>                 |  |
| Focal length                | 2.8 to 8 mm  |
| Aperture                    | F1.9   |
| Focus                       | Without -Z model: Manual<br>-Z model: Auto   |
| FOV                         | Horizontal field of view: 111° to 54.7°<br>Vertical field of view: 57.8° to 30.5°<br>Diagonal field of view: 134° to 63°   |
| Lens Mount                  | Φ14  |
| <b>IR</b>                   |  |
| IR Range                    | Up to 20 m   |
| Wavelength                  | 850 nm   |
| <b>Compression Standard</b> |  |
| Video Compression           | Main stream: H.265/H.264<br>Sub-stream: H.265/H.264/MJPEG  |
| H.264 Type                  | Baseline Profile/Main Profile/High Profile   |
| H.264+                      | Main stream supports   |
| H.265 Type                  | Main Profile   |
| H.265+                      | Main stream supports   |
| Video Bit Rate              | 32 Kbps to 8 Mbps  |
| <b>Image</b>                |  |
| Max. Resolution             | 1920 × 1080  |
| Main Stream                 | 50Hz: 25fps (1920 × 1080, 1280 × 960, 1280 × 720)<br>60Hz: 30fps (1920 × 1080, 1280 × 960, 1280 × 720)                     |
| Sub-stream                  | 50Hz: 25fps (640 × 480, 640 × 360, 320 × 240)<br>60Hz: 30fps (640 × 480, 640 × 360, 320 × 240)                             |
| Image Enhancement           | BLC, 3D DNR  |
| Image Setting               | Rotate mode, saturation, brightness, contrast, sharpness, AGC, white balance adjustable by client software or web browser  |
| Region of Interest          | 1 fixed region for main stream   |
| Day/Night Switch            | Day/Night/Auto/Schedule/Triggered by Alarm In (-S)   |
| <b>Network</b>              |  |
| Network Storage             | Support Micro SD/SDHC/SDXC card (128G), local storage and ANR  |
| Alarm Trigger               | Motion detection, video tampering detection, network disconnected, IP address conflict, illegal login, HDD full, HDD error |
| Protocols                   | TCP/IP, ICMP, HTTP, HTTPS, FTP, DHCP, DNS, DDNS, RTP, RTSP, RTCP, NTP, UPnP, SMTP, IGMP, 802.1X, QoS, IPv6, UDP, Bonjour   |

|                               |   |
|-------------------------------|---|
| General Function              | One-key reset, anti-flicker, heartbeat, mirror, password protection, privacy mask, watermark  |
| Firmware Version              | 5.5.82  |
| API                           | ONVIF (PROFILE S, PROFILE G), ISAPI   |
| Simultaneous Live View        | Up to 6 channels  |
| User/Host                     | Up to 32 users<br>3 levels: Administrator, Operator and User  |
| Client                        | iVMS-4200, iVMS-4500, iVMS-5200, Hik-Connect  |
| Web Browser                   | IE8+, Chrome 31.0-44, Firefox 30.0-51, Safari 8.0+  |
| <b>Interface</b>              |   |
| Audio                         | -S model: Built-in mic, 1 input (line in), 1 output (line out)<br>Without -S model: Built-in mic  |
| Communication Interface       | 1 RJ45 10M/100M self-adaptive Ethernet port   |
| Alarm (-S)                    | 1 alarm input, 1 alarm output   |
| Video Output (Without -Z)     | 1Vp-p composite output (75 Ω/BNC)   |
| On-board storage              | Built-in micro SD/SDHC/SDXC slot, up to 128 GB  |
| Reset Button                  | Yes   |
| <b>Audio</b>                  |   |
| Environment Noise Filtering   | Yes   |
| Audio Sampling Rate           | 8 kHz/16 kHz/32 kHz/44.1 kHz/48 kHz   |
| Audio Compression             | G.711/G.722.1/G.726/MP2L2/PCM   |
| Audio Bit Rate                | 64 Kbps (G.711)/16 Kbps (G.722.1)/16 Kbps (G.726)/32 to 192 Kbps (MP2L2)  |
| <b>General</b>                |   |
| Operating Conditions          | -30 °C to 60 °C (-22 °F to 140 °F), humidity: 95% or less (non-condensing)  |
| Power Supply                  | 12 VDC ± 25%, 5.5 mm coaxial power plug<br>PoE (802.3af, class 3)   |
| Power Consumption and Current | -Z model: 12 VDC, 0.9 A, max. 11 W; PoE: (802.3af, 36 V to 57 V), 0.4 A to 0.2 A, max. 12.9 W<br>Without -Z model: 12 VDC, 0.6 A, max. 7 W; PoE:(802.3af, 36 V to 57 V), 0.3 A to 0.1 A, max. 9 W |
| Protection Level              | IP66  |
| Material                      | Front & Back cover: metal   |
| Dimensions                    | Camera: Φ 105 mm × 244.4 mm (4.1" × 9.6")<br>With package: 315 mm × 137 mm × 141 mm (12.4" × 5.4" × 5.6")   |
| Weight                        | Camera: Approx. 700 g (1.5 lb.)<br>With package: Approx. 1100 g (2.4 lb.)   |

## Available Model

DS-2CD1623G1-I (2.8 mm to 8 mm),  
DS-2CD1623G1-IZ (2.8 mm to 8 mm),  
DS-2CD1623G1-IS (2.8 mm to 8 mm),  
DS-2CD1623G1-IZS (2.8 mm to 8 mm)

## Dimension



Unit: mm (inch)

## Accessory

Distributed |



**DS-1275ZJ-SUS**  
Vertical Pole Mount



**DS-1276ZJ-SUS**  
Corner Mount



**DS-1260ZJ**  
Junction Box



**DS-1280ZJ-S**  
Junction Box

# HIKVISION

### Headquarters

No.555 Qianmo Road, Binjiang District,  
Hangzhou 310051, China  
T +86-571-8807-5998  
overseasbusiness@hikvision.com

**Hikvision USA**  
T +1-909-895-0400  
sales.usa@hikvision.com

**Hikvision Australia**  
T +61-2-8599-4233  
salesau@hikvision.com

**Hikvision India**  
T +91-22-28469900  
sales@pramahikvision.com

**Hikvision Canada**  
T +1-866-200-6690  
sales.canada@hikvision.com

**Hikvision Thailand**  
T +662-275-9949  
sales.thailand@hikvision.com

**Hikvision Europe**  
T +31-23-5542770  
sales.eu@hikvision.com

**Hikvision Italy**  
T +39-0438-6902  
info.it@hikvision.com

**Hikvision Brazil**  
T +55 11 3318-0050  
Latam.support@hikvision.com

**Hikvision Turkey**  
T +90 (216)521 7070- 7074  
sales.tr@hikvision.com

**Hikvision Malaysia**  
T +601-7652-2413  
sales.my@hikvision.com

**Hikvision UK & Ireland**  
T +01628-902140  
sales.uk@hikvision.com

**Hikvision South Africa**  
Tel: +27 (10) 0351172  
sale.africa@hikvision.com

**Hikvision France**  
T +33(0)1-85-330-450  
info.fr@hikvision.com

**Hikvision Kazakhstan**  
T +7-727-9730667  
nikia.panfilov@hikvision.ru

**Hikvision Vietnam**  
T +84-974270888  
sales.vt@hikvision.com

**Hikvision UAE**  
T +971-4-4432090  
salesme@hikvision.com

**Hikvision Singapore**  
T +65-6684-4718  
sg@hikvision.com

**Hikvision Spain**  
T +34-91-737-16-55  
info.es@hikvision.com

**Hikvision Tashkent**  
T +99-87-1238-9438  
uzb@hikvision.ru

**Hikvision Hong Kong**  
T +852-2151-1761  
info.hk@hikvision.com

**Hikvision Russia**  
T +7-495-669-67-99  
saleru@hikvision.com

**Hikvision Korea**  
T +82-[0]31-731-8817  
sales.korea@hikvision.com

**Hikvision Poland**  
T +48-22-460-01-50  
info.pl@hikvision.com

**Hikvision Indonesia**  
T +62-21-2933759  
Sales.Indonesia@hikvision.com

**Hikvision Colombia**  
sales.colombia@hikvision.com

050553180926