

## AXIS 206 Network Camera

The smallest network camera in the world.



- > Progressive scan
- > Motion JPEG at up to 30 fps
- > Easy installation
- > Multilingual interface

AXIS 206 Network Camera offers a cost-effective, indoor camera solution for remote monitoring and security surveillance over a local area network or the Internet. The camera is ideal for use in small businesses, home offices and residences.

Small enough to fit in the palm of your hand, AXIS 206 delivers crisp and clear images even in low-light conditions, using a progressive scan CMOS image sensor and advanced signal processing.

Video compression provides high quality Motion JPEG at up to 30 frames per second in all resolutions up to VGA 640x480 pixels.

AXIS 206 is easy to set up and use. It comes with a free multilingual product interface for remote viewing and management, reachable via a standard web browser. Also included is the AXIS Camera Station One software for monitoring, recording, playback and event management.



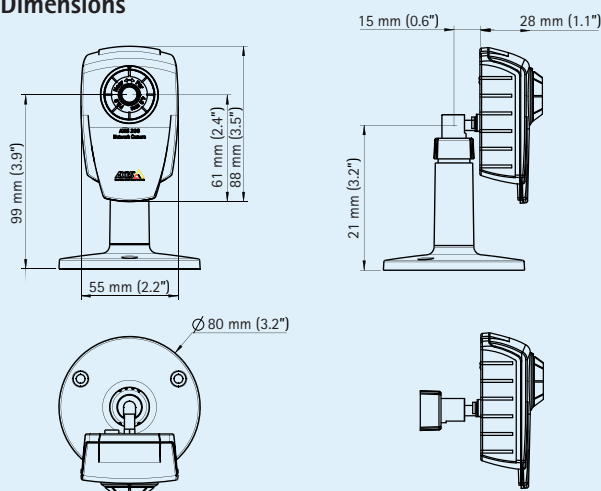
## Technical specifications – AXIS 206 Network Camera

Camera	
<b>Image sensor</b>	1/4" Progressive scan CMOS
<b>Lens</b>	4.0 mm, F2.0, fixed iris Horizontal angle of view: 54°
<b>Light sensitivity</b>	4 – 10000 lux, F2.0
<b>Shutter time</b>	1/10000 s to 1/2 s
Video	
<b>Video compression</b>	Motion JPEG
<b>Resolutions</b>	Up to 640x480
<b>Frame rate Motion JPEG</b>	Up to 30 fps at all resolutions
<b>Video streaming</b>	Controllable frame rate and bandwidth
<b>Image settings</b>	Compression, color, brightness, contrast, white balance, rotation Text overlay
Network	
<b>Security</b>	Password protection
<b>Supported protocols</b>	IPv4, HTTP, TCP, ICMP, UDP, SMTP, FTP, DHCP, UPnP™, Bonjour, ARP, DNS, DynDNS, NTP
System integration	
<b>Application Programming Interface</b>	Open API for software integration, including VAPIX® from Axis Communications available at <a href="http://www.axis.com">www.axis.com</a>

General	
<b>Language support</b>	Chinese, English, French, German, Italian, Japanese, Korean and Spanish
<b>Processors and memory</b>	32-bit RISC CPU Motion JPEG compression chip 16 MB RAM 4 MB Flash
<b>Power</b>	5.0 – 5.5 V DC, max 2.5 W
<b>Connector</b>	RJ-45 10BASE-T/100BASE-TX Auto-MDIX
<b>Operating conditions</b>	5 – 50 °C (41 – 122 °F) Humidity 20 – 80% RH (non-condensing)
<b>Approvals</b>	EN 55022 Class B, EN 61000-3-2, EN 61000-3-3, EN 55024, EN 61000-6-1, FCC Part 15 Subpart B Class B, ICES-003, VCCI Class B, C-tick AS/NZS 3548, EN 60950-1 Power supply: EN 60950-1, UL, CSA
<b>Weight</b>	180 g (0.39 lb.)
<b>Included accessories</b>	Power supply, stand, Installation Guide, CD with installation tool, software and User's Manual

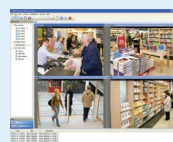
More information is available at [www.axis.com](http://www.axis.com)

### Dimensions



### Optional accessories

Vandal-resistant housing



For information on AXIS Camera Station and video management software from Axis' Application Development Partners, see [www.axis.com/products/video/software/](http://www.axis.com/products/video/software/)