

# 1.0 Megapixel WDR HD Bullet Camera



Avigilon's end-to-end surveillance solutions deliver image detail no other system can match. Avigilon Control Center software, featuring High-Definition Stream Management™ (HDSM™) technology combined with our broad range of megapixel cameras (from 1 MP to 29 MP) provide unprecedented clarity—while effectively managing storage and bandwidth requirements. Our components are scalable and can work together in an end-to-end system, or can be customized to create your own powerful and cost-effective solution.

The innovative HD Bullet camera is just one way Avigilon can help provide the very best monitoring and protection.

H.264 HD CAMERA



Avigilon's 1.0MP HD Bullet camera is ideal for seeing objects and activity in complete darkness. With our unique adaptive IR technology, this camera is equipped to provide both wide and narrow illumination, enabling consistent illumination in complete darkness to maximize image quality regardless of scene conditions. Avigilon's 1.0MP HD Bullet camera also feature wide dynamic range (WDR) capabilities and is vandal resistant for maximum security. The Bullet camera is ideal for monitoring a variety of environments that require discreet nighttime coverage, including parking lots, campuses and industrial yards.

## KEY FEATURES

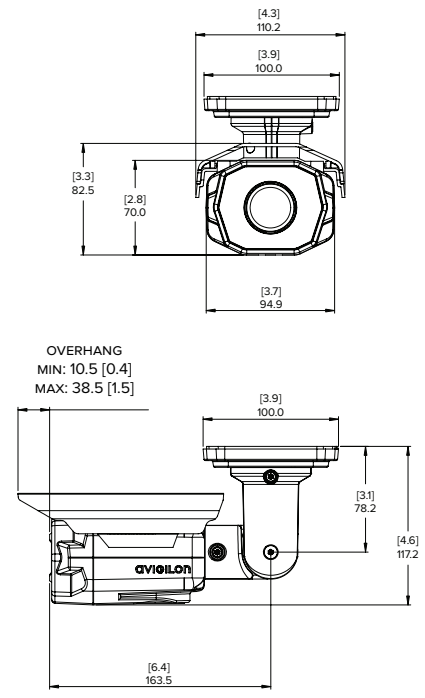
|  |
|--|
| 1.0 megapixel progressive scan CMOS sensor   |
| Unsurpassed image quality in daytime and nighttime   |
| Available with 3-9 mm F1.2 or 9-22 mm F1.6 P-Iris lens with remote focus and zoom  |
| 30 images per second at full resolution  |
| 100 dB true dynamic range  |
| Integrated IR (Infrared) LEDs provide uniform illumination in the dark, even at 0 lux, up to maximum of 200 ft (60 m) away   |
| Zoom adaptive IR provides the most effective illumination at all zoom positions  |
| Content adaptive IR prevents image saturation while maintaining optimum scene illumination                                   |
| Automatic Day/Night functionality with removable IR cut filter to switch to Day or Night mode depending on the light level   |
| PoE (Power over Ethernet) enables operating temperatures of -40°C to 50°C (-40°F to 122°F) with no auxiliary power required. |
| Additional configuration Ethernet port for easy installation   |
| ONVIF compliant API with H.264 and Motion JPEG compression   |
| Vandal resistant construction and IP66 compliant   |

1.0W-H3-BO1-IR  
1.0W-H3-BO2-IR

# Specifications

|                             | 1.0W-H3-BO1-IR                            | 1.0W-H3-BO2-IR  |   |                               |
|-----------------------------|---|---|---|-------------------------------|
| <b>CAMERA</b>               | Image Sensor                              | WDR 1/3" progressive scan CMOS  |   |                               |
|                             | Active Pixels                             | 1280 (H) x 720 (V)  |   |                               |
|                             | Imaging Area                              | 4.2 mm (H) x 2.4 mm (V); 0.165" (H) x 0.094" (V)  |   |                               |
|                             | Illuminator Technology                    | High-power IR LEDs  |   |                               |
|                             | Maximum IR Illumination Distance at 0 lux | 30 m (100 ft)   | 60 m (200 ft)   |                               |
|                             | Wavelength                                | 850 nm  |   |                               |
|                             | Minimum Illumination                      | 0.2 lux (F1.2) in color mode;<br>0 lux in monochrome mode with IR                                 | 0.4 lux (F1.6) in color mode;<br>0 lux in monochrome mode with IR |                               |
|                             | Dynamic Range                             | 100 dB  |   |                               |
|                             | Lens                                      | 3-9 mm, F1.2, P-Iris, remote focus and zoom   | 9-22 mm, F1.6, P-iris, remote focus and zoom                      |                               |
|                             | Angle of View                             | 26° - 79°   | 11° - 26°   |                               |
|                             | Image Compression Method                  | H.264 (MPEG-4 Part 10/AVC), Motion JPEG   |   |                               |
|                             | Image Rate                                | 30 (all resolutions)  |   |                               |
|                             | Motion Detection                          | Selectable sensitivity and threshold  |   |                               |
|                             | Electronic Shutter Control                | Automatic, Manual (1/6 to 1/8000 sec)   |   |                               |
|                             | Iris Control                              | Automatic, Manual   |   |                               |
|                             | Day/Night Control                         | Automatic, Manual   |   |                               |
|                             | Flicker Control                           | 50 Hz, 60 Hz  |   |                               |
|                             | White Balance                             | Automatic, Manual   |   |                               |
|                             | Backlight Compensation                    | Automatic   |   |                               |
|                             | Privacy Zones                             | Up to 4 zones   |   |                               |
| Audio Compression Method    | G.711 PCM 8 khz                           |   |   |                               |
| Audio Input/Output          | Line level input and output               |   |   |                               |
| External I/O Terminals      | Alarm In, Alarm Out                       |   |   |                               |
| <b>NETWORK</b>              | Network                                   | 100BASE-TX  |   |                               |
|                             | Cabling Type                              | CAT5  |   |                               |
|                             | Connector                                 | RJ-45   |   |                               |
|                             | API                                       | ONVIF compliant (www.onvif.org)   |   |                               |
|                             | Security                                  | Password protection, HTTPS encryption, digest authentication, WS authentication, user access log. |   |                               |
|                             | Protocol                                  | IPv4, HTTP, HTTPS, SOAP, DNS, NTP, RTSP, RTCP, RTP, TCP, UDP, IGMP, ICMP, DHCP, Zeroconf, ARP     |   |                               |
|                             | Streaming Protocols                       | RTP/UDP, RTP/UDP multicast, RTP/RTSP/TCP, RTP/RTSP/HTTP/TCP, RTP/RTSP/HTTPS/TCP, HTTP             |   |                               |
| <b>MECHANICAL</b>           | Dimensions (LxWxH)                        | 241.7 mm x 94.9 mm x 70 mm (9.5" x 3.7" x 2.8")   |   |                               |
|                             | Weight                                    | 1.15 kg (2.5 lbs)   |   |                               |
|                             | Body                                      | Aluminum  |   |                               |
|                             | Housing                                   | Surface mount, tamper resistant   |   |                               |
|                             | Finish                                    | Powder coat, cool gray 2  |   |                               |
|                             | Adjustment Range                          | ±175° pan, -45° to +90° tilt, ±175° azimuth   |   |                               |
| <b>ELECTRICAL</b>           | Power Source                              | VDC: 12-24 V<br>VAC: 24 V<br>PoE: IEEE802.3af Class 3 compliant                                   |   |                               |
|                             | Power Consumption                         | 6 W<br>+ 6 W with IR illumination<br>+ 10 W with Heater   |   |                               |
| <b>ENVIRONMENTAL</b>        | Operating Temperature                     | -40°C to +50°C (-40°F to 122°F)   |   |                               |
|                             | Storage Temperature                       | -10°C to +70°C (14°F to 158°F)  |   |                               |
|                             | Humidity                                  | 20 - 80% Relative humidity (non-condensing)   |   |                               |
| <b>CERTIFICATIONS</b>       | Safety                                    | UL 60950<br>CSA 60950<br>CB Scheme  | UVV<br>CE<br>ROHS   | WEEE<br>C-Tick                |
|                             | Environmental                             | IK10 Impact Rating Meets IP66 Weather Rating  |   |                               |
|                             | Electromagnetic Emissions                 | FCC Part 15 Subpart B Class B   | IC ICES-003 Class B   | EN 55022 Class B              |
|                             | Electromagnetic Immunity                  | EN 55024 Class B<br>EN 61000-4-2<br>EN 61000-4-3  | EN 61000-4-4<br>EN 61000-4-5                                      | EN 61000-4-6<br>EN 61000-4-11 |
| <b>ORDERING INFORMATION</b> | 1.0W-H3-BO1-IR                            | 1.0 Megapixel WDR 3-9mm HD Bullet Camera  |   |                               |
|                             | 1.0W-H3-BO2-IR                            | 1.0 Megapixel WDR 9-22mm HD Bullet Camera   |   |                               |

# Outline Dimensions



|       |        |
|-------|--------|
| [X.X] | INCHES |
| X     | MM     |